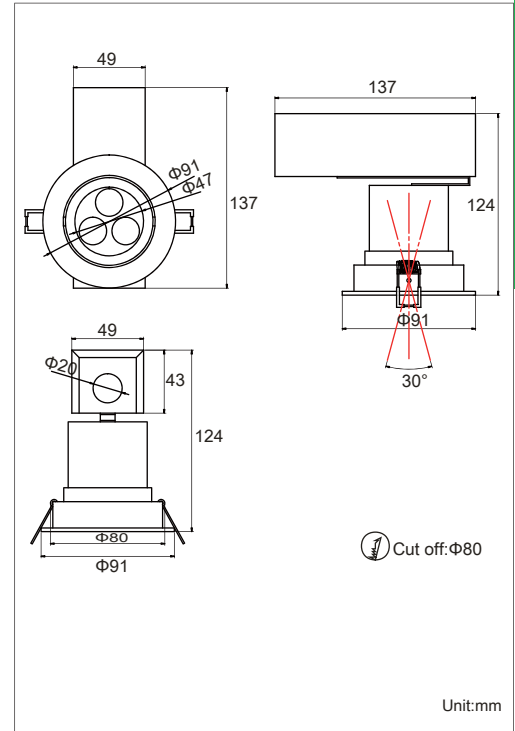


# LED Down Light EMSD Series 9W

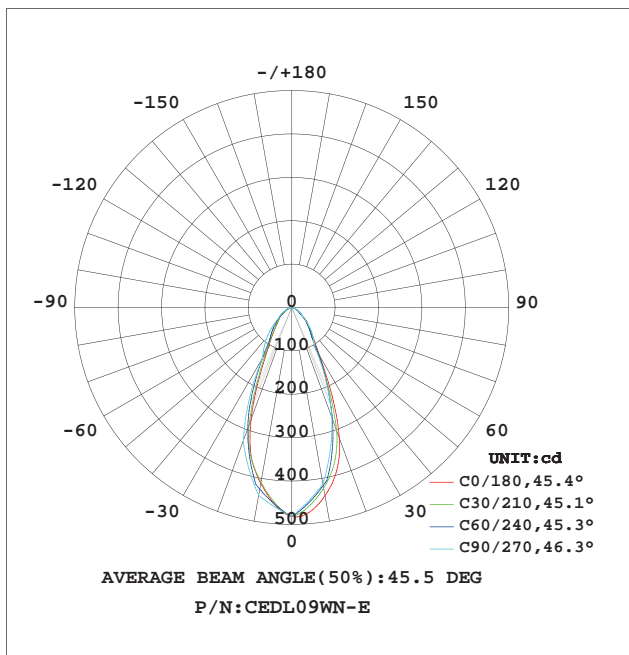


LED Down Light  
EMSD Series 9W

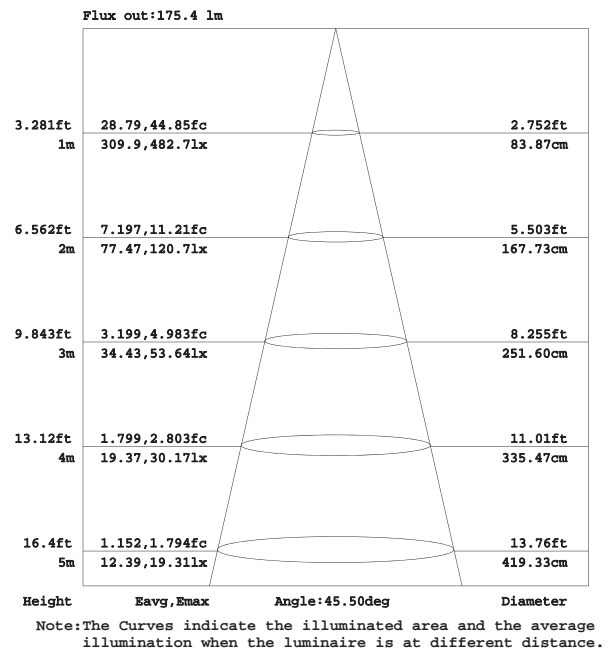
## Product Dimensions:



## Luminous Intensity Distribution Diagram:



## Lux Distribution:



### Manufacturing Quality Standard:

- ISO 9001:2008

### LED Luminaire Standard:

- EN/IEC 60598-1
- EN/IEC 60598-2-1
- EN/IEC 60598-2-2
- EN/IEC 60529
- EN/IEC 62471-2
- IEC 62612
- EN/IEC 60968
- IEC 62560
- EN/IEC 60061-1
- EN 13032-1
- EN 13032-2
- EN/IEC 62471

### LED Module Standard:

- IEC 62031
- IEC 60838-2-2

### Electronic Driver Standard:

- EN/IEC 61347-1
- EN/IEC 61347-2-13
- EN/IEC 62384
- EN/IEC 61000-3-2
- EN/IEC 61000-3-3
- EN/IEC 61547
- EN 55015 (CISPR 15)

### LED Light Photometric Standard:

- CIE; TM14; LM-75; IES; LDT; CEN; CIB

### RoHS Standard:

- EPA3050B
- EN 1122
- IEC 62321
- EPA3052
- EPA3060A
- EPA7196A
- EPA3540C
- EPA8270C

### LED Luminaire Performance:

- LM-80-08
- Switching cycle: 100,000x



**Features:**

- Can replace 9W compact fluorescent or 50W halogen downlight
- Static spray coating surface
- Die-cast aluminium housing
- External the power metal casing
- Optional battery kit for emergency lighting > 3hours
- Optional DMX 512/Dali/1-10V dimming driver

**Applications:**

- Outdoor corridor
- Outdoor eaves
- Wall light



**Specifications:**

Part No	CCT (K)	Beam Angle	Color Rendering Index	Luminaire Luminous Intensity(cd)	Luminaire Luminous Flux(lm)	Luminaire Efficacy (lm/w)	LED Source (lm)	Power (W)
CEDL09WW-E	3000	45°	80	482	380	42	500	9
CEDL09WN-E	4000	45°	80	520	420	47	600	9
CEDL09WC-E	6500	45°	80	600	460	51	700	9

**Products Characteristic:**

- Input Voltage:AC 100~240V(50/60Hz)
- Operating Temperature:-20°C~50°C
- Operation Humidity: 10%~90%RH
- Life Time:50,000 Hours at Ta=40°C
- Body Color:White
- Finishing Materials: Aluminium and Polycarbonate
- LED Source:CREE
- Net Weight:530g

