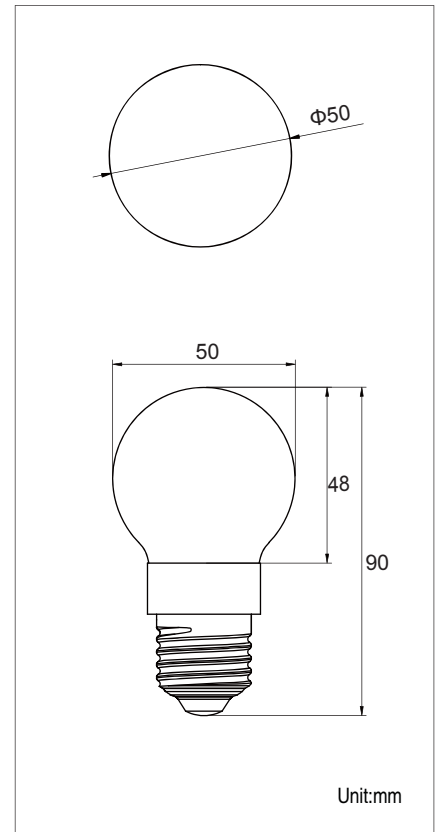
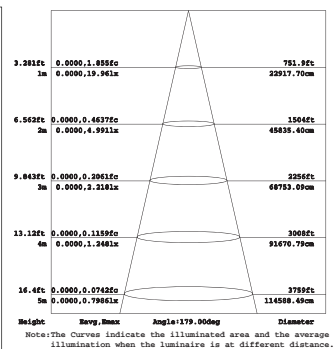
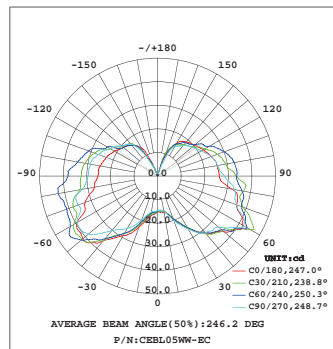
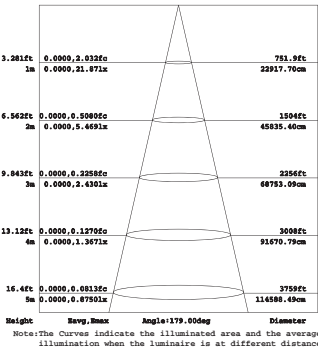
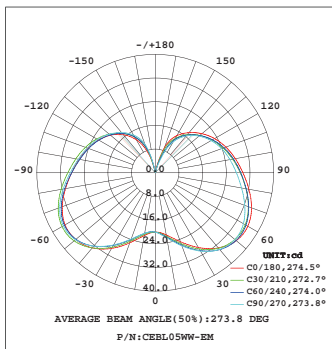


Product Dimensions:



Luminous Intensity Distribution Diagram & Lux Distribution:



Manufacturing Quality Standard:

• ISO 9001:2008

LED Luminaire Standard:

- EN/IEC 60598-1
- EN/IEC 60598-2-1
- EN/IEC 60598-2-2
- EN/IEC 60529
- EN/IEC 62471-2
- IEC 62612
- EN/IEC 60968
- IEC 62560
- EN/IEC 60061-1
- EN 13032-1
- EN 13032-2
- EN/IEC 62471
- EN/IEC 60825
- EN 60061-1

Electronic Driver Standard:

- EN/IEC 61347-1
- EN/IEC 61347-2-13
- EN/IEC 62384
- EN/IEC 61000-3-2
- EN/IEC 61000-3-3
- EN/IEC 61547
- EN 55015(CISPR 15)

LED Module Standard:

- IEC 62031
- IEC 60838-2-2

RoHS Standard:

- EPA3050B
- EN 1122B
- IEC 62321
- EPA3052
- EPA3060A
- EPA7196A
- EPA3540C
- EPA8270D

LED Luminaire Performance:

• Switching cycle: 100,000x

LED Light Photometric Standard:

• CIE; TM14; LM-75; IES; LDT; CEN; CIB

**Features:**

- Can replace 40W tungsten bulb
- Can replace 8W compact fluorescent lamp
- Polycarbonate milky glass diffuser for UGR standard
- High pressure die-casting aluminum housing
- UV and IR Free

**Applications:**

- Home Lighting
- Shopping Mall Lighting
- Down Light



**Specifications:**

Part No	CCT (K)	Beam Angle	Color Rendering Index	Beam Intensity (cd)	Luminaire Luminous (lm)	Socket	Power (W)	Cover Diffusor
CEBL05WW-EM	3000	270°	80	50	320	E27	5	Milky
CEBL05WN-EM	4000	270°	80	60	340	E27	5	Milky
CEBL05WC-EM	6500	270°	80	70	360	E27	5	Milky
CEBL05WW-EC	3000	250°	80	50	390	E27	5	Clear
CEBL05WN-EC	4000	250°	80	60	420	E27	5	Clear
CEBL05WC-EC	6500	250°	80	70	450	E27	5	Clear

**General And Electrical Characteristics:**

- Input Voltage: AC 220~240V 50/60Hz
- Operating Temperature: -20°C ~ 50°C
- Life Time: 50,000 Hours (Ta=25°C)
- Housing Materials: Aluminum / Glass
- Body Color: Silver / White
- LED Type: SMD
- Net Weight: 40g

