

LED DMX512 Controller
P/N: DMXSC-02



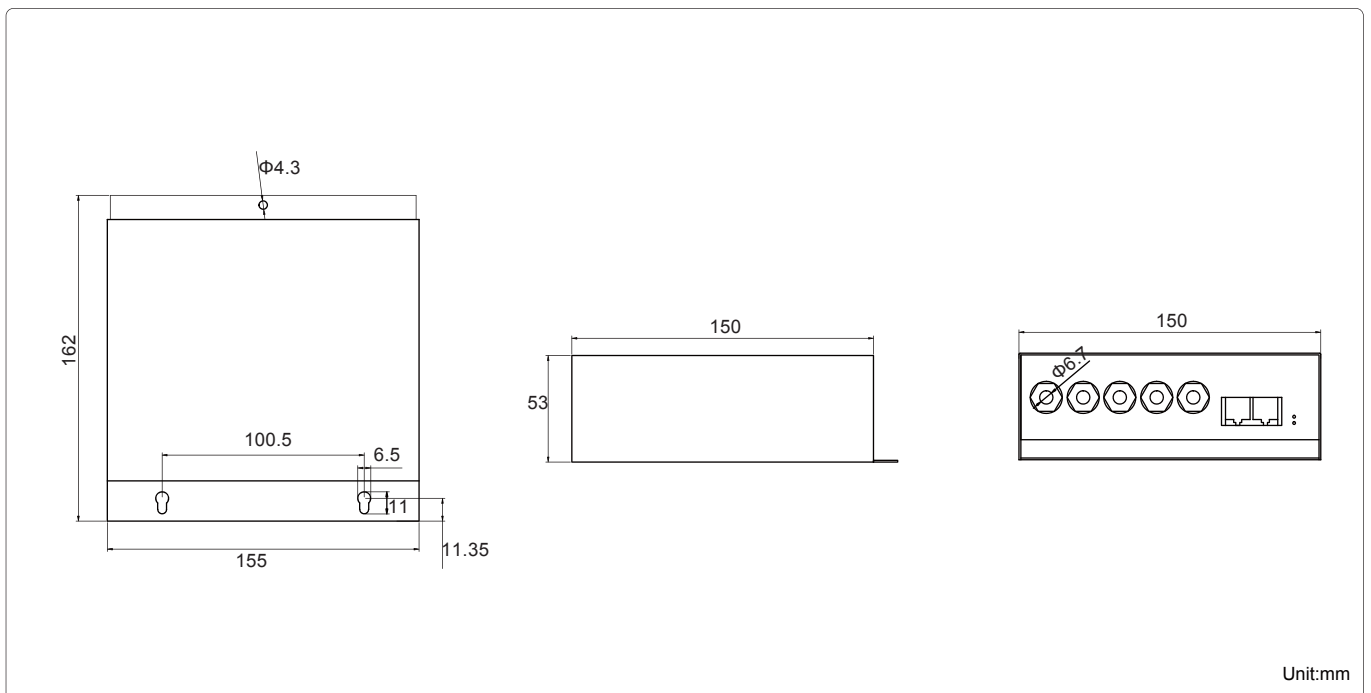
Controller Model and Appearance View:

DMXSC-02 synchronous controller and non-synchronous controller are industry type with casing and 4 output ports. The actual controlled pixel points could reach 680 (Max 170/port).

DMXSC-02 View:

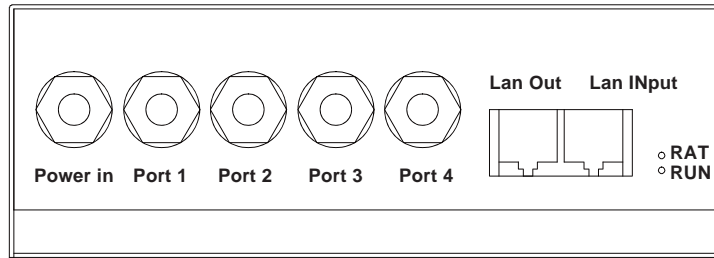


Product Dimensions:



The Product Appearance and Description:

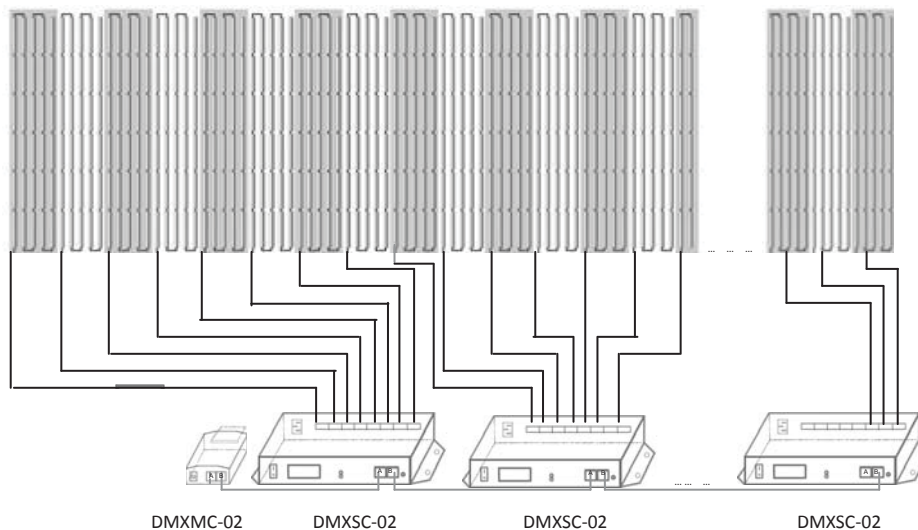
1. DMXSC Offline Player Front View and Description



2. Basic Parameters List of the Controller

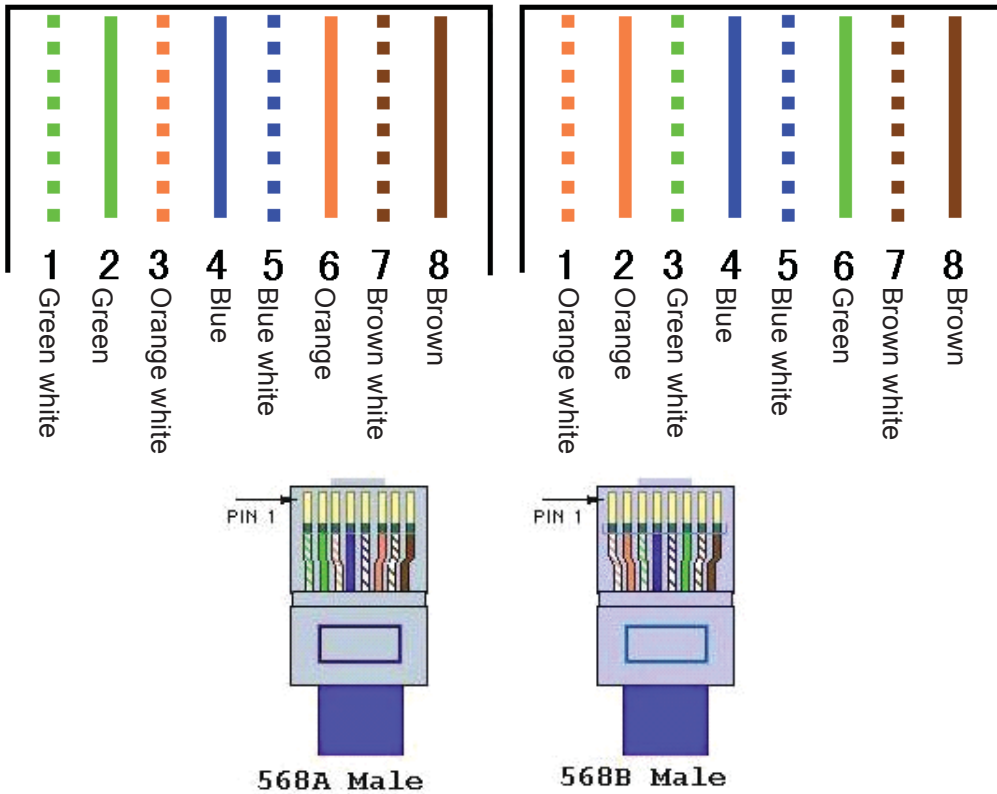
Input Power Supply	AC 100~240V 50/60Hz
Rated Current	500mA
Rated Capacity	2.5W
Max Program Memory Support	4G SD Card(FAT 32)
Signal Output Port	4
Control Qty	170 Pixel / Point
Max Signal Distance by Ethernet	100m
Working Temperature	-20°C~70°C
Working Humidity	0~90%
Dimension	L162xW155xH453mm
Weight(N.W)	1.1kg

3. Sample Installation Instructions and Schematic Diagram



Attentions:Connection In Controllers(Master or Sub)

Order of Network Cables---CAT 5E Cables



- The controller, offline player and switch should be connected by cross ruling, i.e., one end is 568A and the other end is 568B.
- Straight through line should be adopted for any of the above equipment and the computer, i.e. both sides are 568A or 568B. It is forbidden to self-define the order of straight through line.