

LED DMX512 Controller
P/N: DMXMC-02



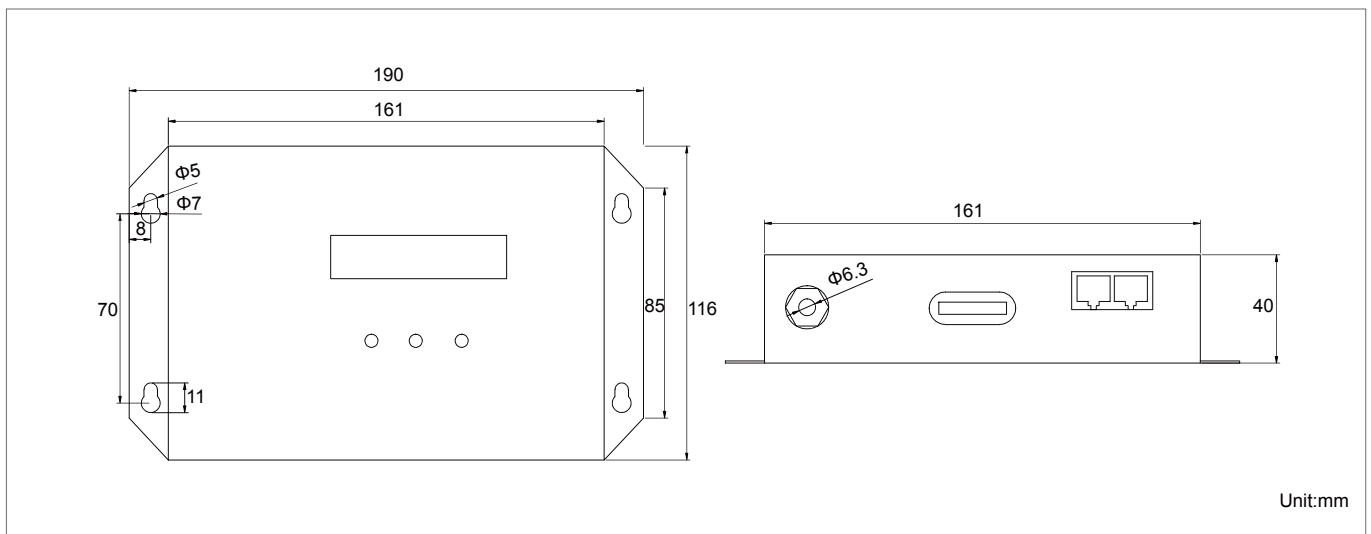
DMX512 Master Controller:

DMXMC-02 master controller can be used as off-line, with 120 thousand pixel in offline, SD card storage, the control can be achieved in clips selected, brightness adjustment, speed adjustment, built-in features such as animation test procedures; great to meet customers in a variety of applications and debugging needs.

DMXMC-02 View:

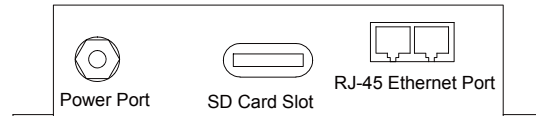
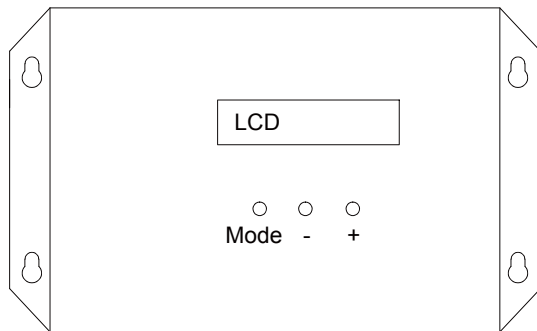


Product Dimensions:



The Product Appearance and Description:

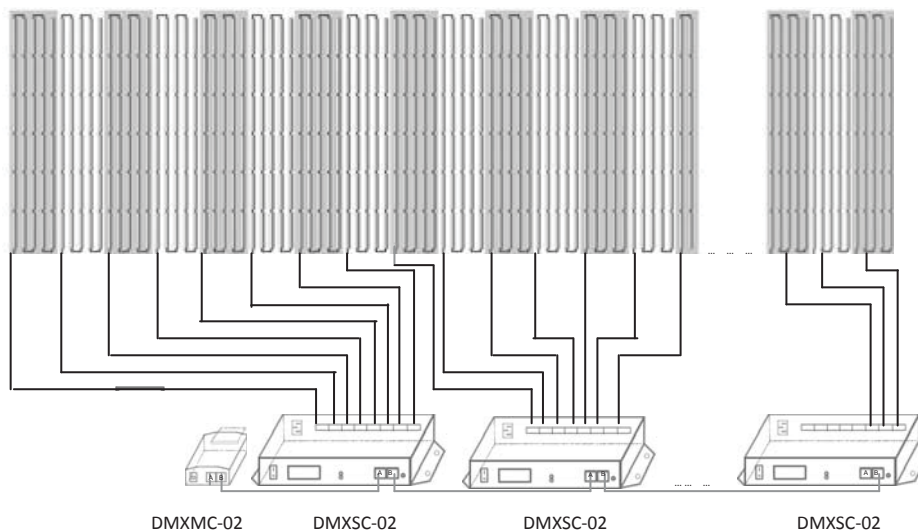
1. DMXMC Offline Player Front View and Description



2. Basic Parameters List of the Controller

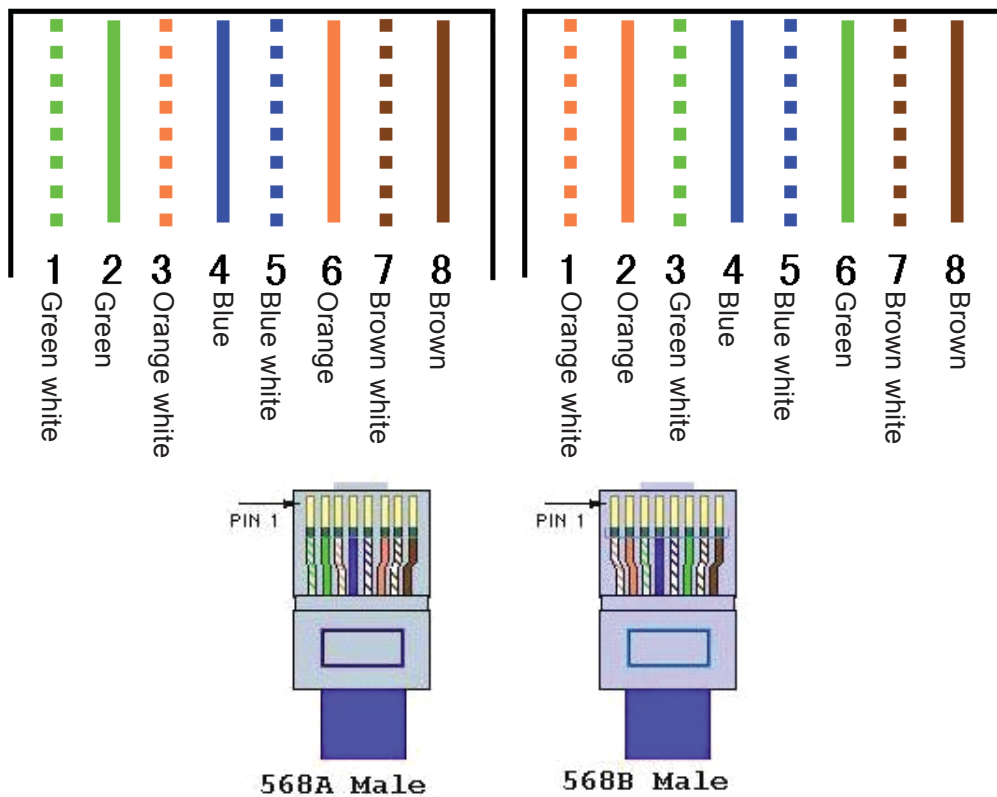
Input Power Supply	AC 100~240V 50/60Hz
Rated Current	500mA
Rated Capacity	2.5W
Max Program Memory Support	4G SD Card(FAT 32)
Signal Output Port	2
Speed Range(Adjustable)	1~100 Frames Per Second
Brightness Range(Adjustable)	1~16 Steps
Max Signal Distance by Ethernet	100m
Working Temperature	-20°C~70°C
Working Humidity	0~90%
Dimension	L190xW116xH40mm
Weight(N.W)	0.9kg

3. Sample Installation Instructions and Schematic Diagram



Attentions: Connection In Controllers(Master or Sub)

Order of Network Cables---CAT 5E Cables



- The controller, offline player and switch should be connected by cross ruling, i.e., one end is 568A and the other end is 568B.
- Straight through line should be adopted for any of the above equipment and the computer, i.e. both sides are 568A or 568B. It is forbidden to self-define the order of straight through line.