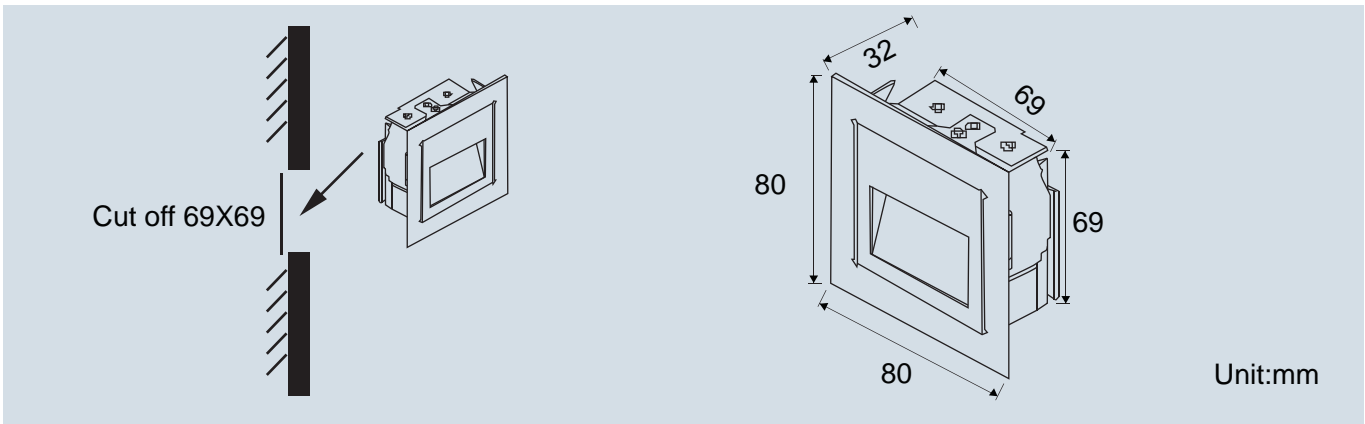
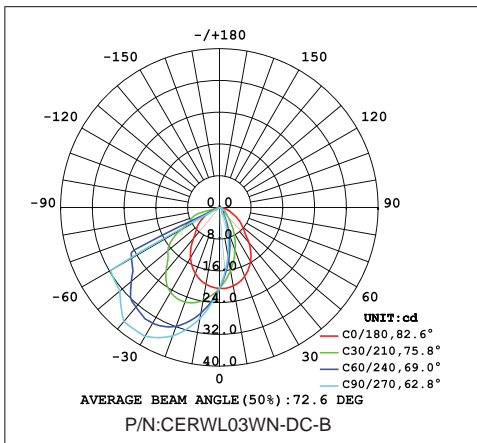




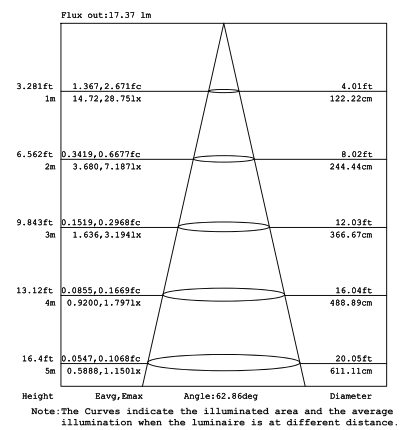
Product Dimensions:



Luminous Intensity Distribution Diagram:



Lux Distribution:



Manufacturing Quality Standard:

- ISO 9001:2008

LED Luminaire Standard:

- EN/IEC 60598-1
- EN/IEC 60598-2-1
- EN/IEC 60598-2-2
- EN/IEC 60529
- EN/IEC 62471-2
- IEC 62612
- EN/IEC 60968
- IEC 62560
- EN/IEC 60061-1
- EN 13032-1
- EN 13032-2
- EN/IEC 62471
- EN/IEC 60825
- EN 60061-1

Electronic Driver Standard:

- EN/IEC 61347-1
- EN/IEC 61347-2-13
- EN/IEC 62384
- EN/IEC 61000-3-2
- EN/IEC 61000-3-3
- EN/IEC 61547
- EN 55015(CISPR 15)

LED Module Standard:

- IEC 62031
- IEC 60838-2-2

RoHS Standard:

- EPA3050B
- EN 1122B
- IEC 62321
- EPA3052
- EPA3060A
- EPA7196A
- EPA3540C
- EPA8270D

LED Luminaire Performance:

- LM-80-08
- Switching cycle:100,000x

LED Light Photometric Standard:

- CIE; TM14; LM-75; IES; LDT; CEN; CIB

Features:

- Life time:50,000 hours
- Surface electrostatic spray coating
- Excellent cooling system
- Green and eco-friendly without mercury
- Precise light distribution system make beam focus,decrease pollution

Applications:

- Wall light
- Public squares
- Parks
- Foyer landscaping
- Swimming pools



Specifications:

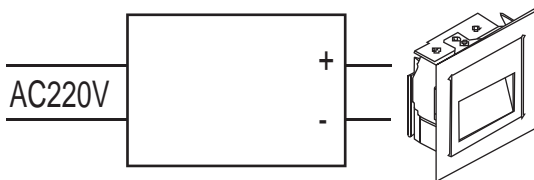
Part No	CCT (K)	Beam Angle	Luminaire Luminous Flux (lm)	Input Current (mA)	Power (W)
CERWL01WW-DC-B	3000±200	72.6°	25	350	1
CERWL01WN-DC-B	4000±200	72.6°	30	350	1
CERWL01WC-DC-B	6500±200	72.6°	35	350	1
CERWL03WW-DC-B	3000±200	72.6°	50	700	3
CERWL03WN-DC-B	4000±200	72.6°	53	700	3
CERWL03WC-DC-B	6500±200	72.6°	60	700	3

Products Characteristic:

- Input Voltage: DC 3.0~3.2V
- Operating Temperature:-20°C ~ 50°C
- Operation Humidity:0~95%
- Life Time: 50,000 Hours
- Housing Materials: Aluminum/Glass
- LED Type: CREE
- Net Weight:90g

Power Connection:

DC3.0~3.2V 350mA / 700mA
(Constant Current)



LED Constant Current Power Supply:



Out-put Current: 350mA
P/N: SLT3-350IS-1



Out-put Current: 700mA
P/N: SLT3-700IS-1

