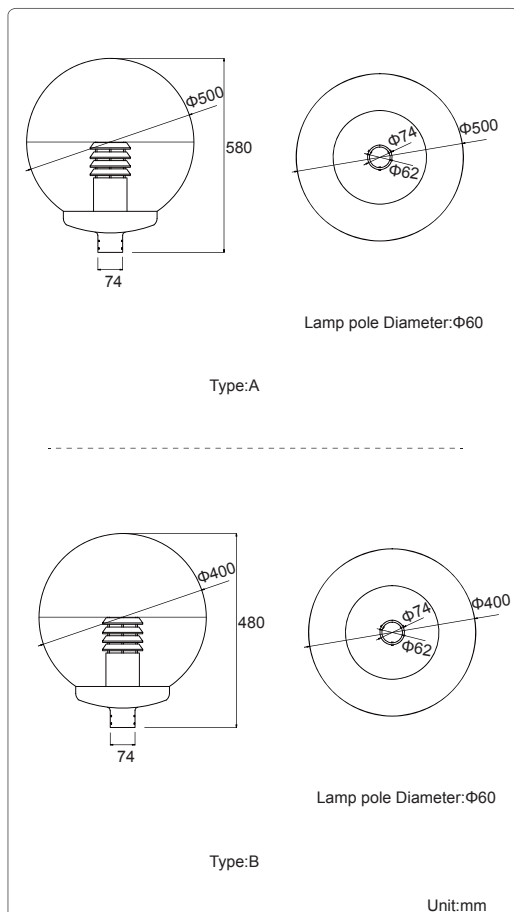


PANET

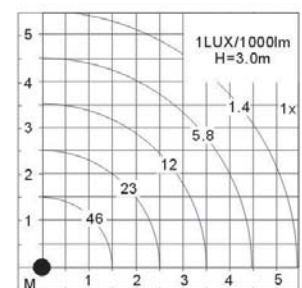
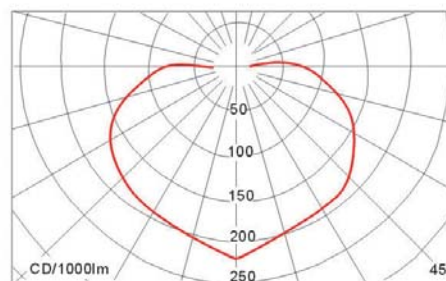


- Material and features:
- Protection index:IP65
- Power supply parameter:220V+10V/50Hz~60Hz
- Head type:E27/G12
- Recommended height(m):3.5~4.5 metres
- Characteristics of lamps:die-cast aluminum alloy body
- Diaphanous PMMA-textured lampshade of good quality, the diffusing rays with out dazzling lights
- The surface is coated with outdoor powder,smooth acid and alkali resistant,aging resistant
- Applications:Square,parks,residential areas,pedestrian precincts,etc.

Product Dimensions:



Luminous Intensity Distribution Diagram and Lux Distribution:



Manufacturing Quality Standard:

- ISO 9001:2008

Light Photometric Standard:

- CIE; TM14; LM-75; IES; LDT; CEN; CIB

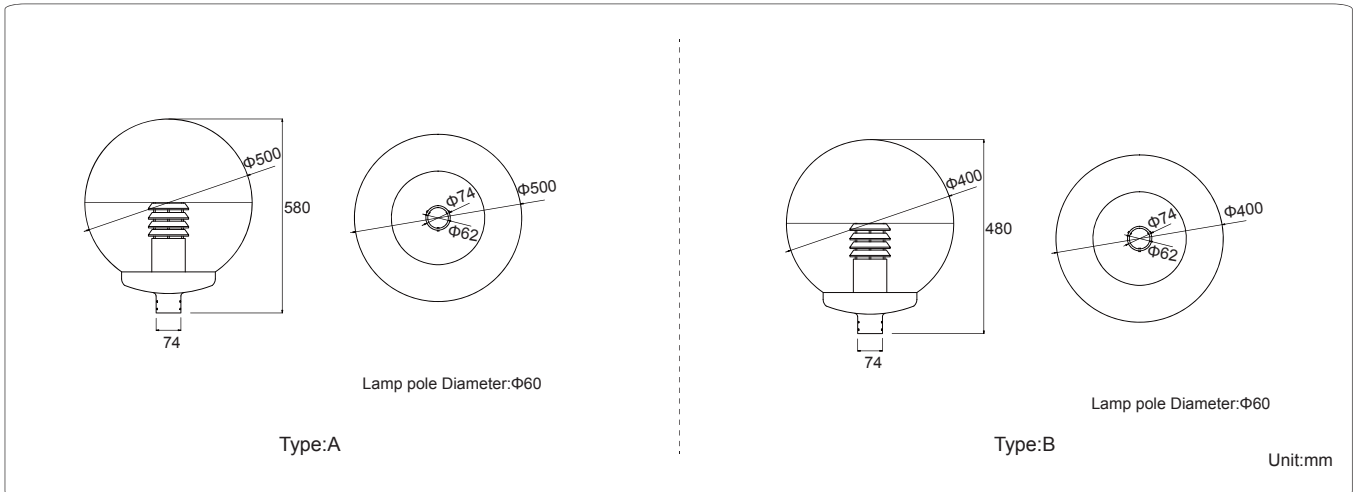
**BALL**



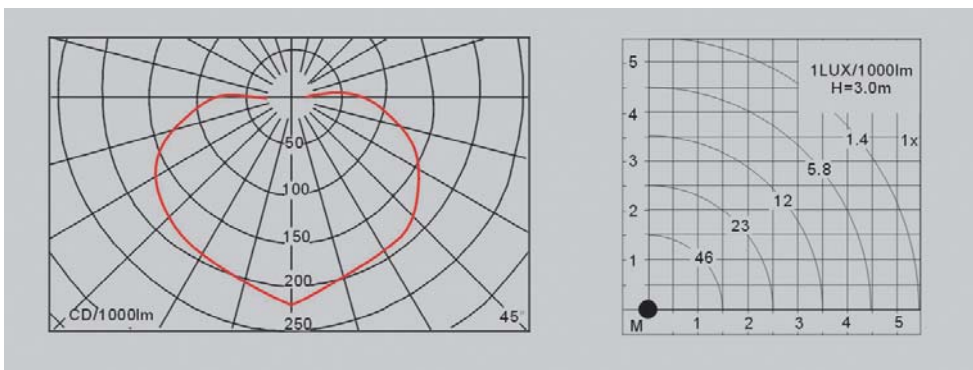
# Courtyard Light

- Material and features:
- Protection index: IP65
- Power supply parameter: 220V+10V/50Hz~60Hz
- Head type: E27/G12
- Recommended height (m): 3.5~4.5 metres
- Characteristics of lamps: die-cast aluminum alloy body
- Canister-shaped PC lampshade with strong diaphaneity
- The surface is coated with outdoor powder, smooth acid and alkali resistant, aging resistant
- Applications: Square, parks, residential areas, pedestrian precincts, etc.

**Product Dimensions:**



**Luminous Intensity Distribution Diagram & Lux Distribution:**



**Manufacturing Quality Standard:**

- ISO 9001:2008
- Light Photometric Standard:**
- CIE; TM14; LM-75; IES; LDT; CEN; CIB