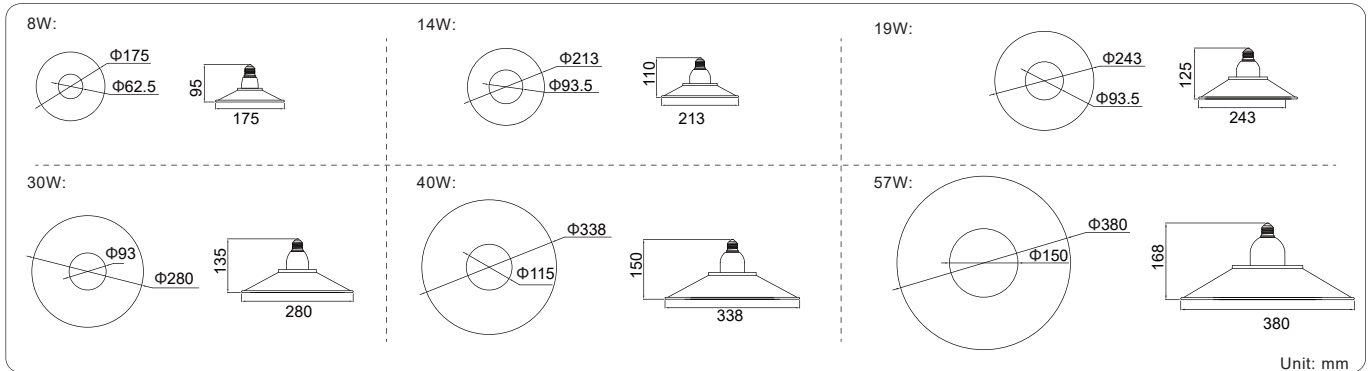
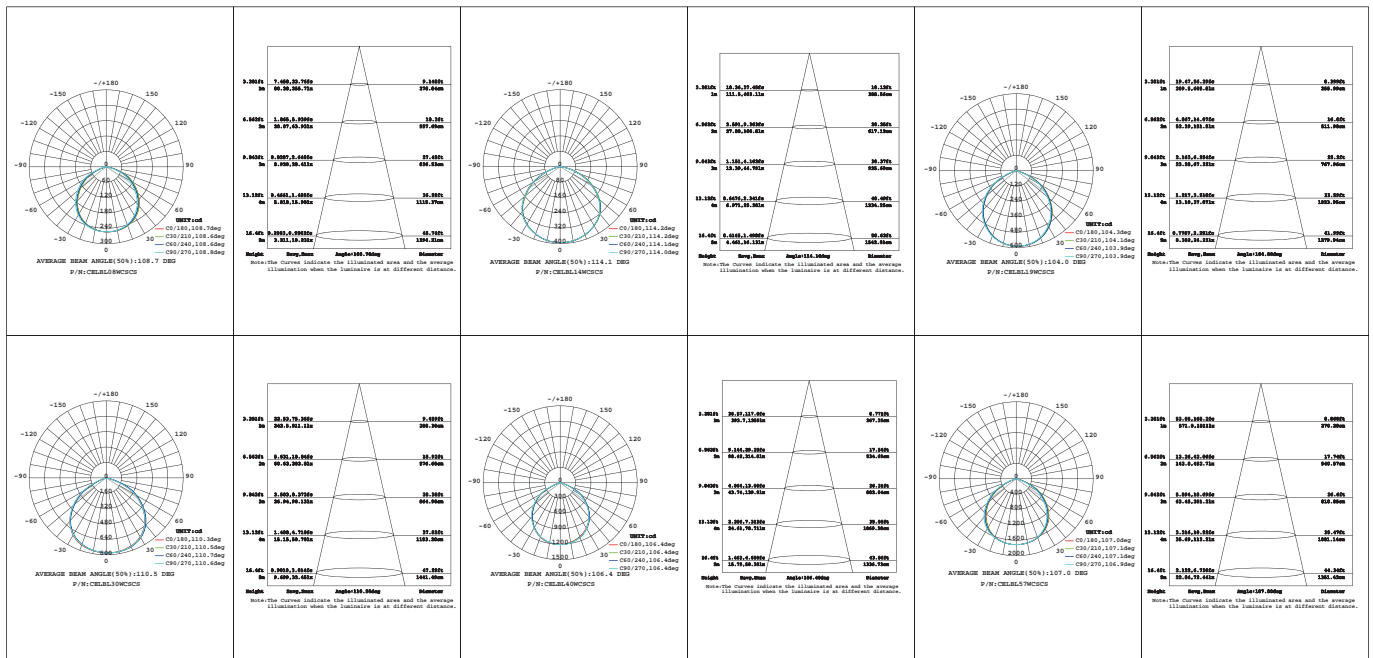




Product Dimensions:



Luminous Intensity Distribution Diagram & Lux Distribution:



Manufacturing Quality Standard:

- ISO 9001:2008
- EN/IEC 60598-1
- EN/IEC 60598-2-1
- EN/IEC 60598-2-2
- EN/IEC 60529
- EN/IEC 62471-2
- IEC 62612
- EN/IEC 60968
- IEC 62560
- EN/IEC 60061-1
- EN 13032-1
- EN 13032-2
- EN/IEC 62471
- EN/IEC 60825
- EN 60061-1

Electronic Driver Standard:

- EN/IEC 61347-1
- EN/IEC 61347-2-13
- EN/IEC 62384
- EN/IEC 61000-3-2
- EN/IEC 61000-3-3
- EN/IEC 61547
- EN 55015(CISPR 15)

LED Module Standard:

- IEC 62031
- IEC 60838-2-2

LED Light Photometric Standard:

- CIE; TM14; LM-75; IES; LDT; CEN; CIB

RoHS Standard:

- EPA3050B
- EN 1122B
- IEC 62321
- EPA3052
- EPA3060A
- EPA7196A
- EPA3540C
- EPA8270D

LED Luminaire Performance:

- LM-80-08
- Switching cycle: 100,000x

Features:

- High transmittance diffuser and quality grade aluminum casing; wide irradiating area with affluent brightness and light uniformity effect; no dark rims.
- Smart and Elegant design appearance. Dust, pest and water seepage proof with anti-fog and haze effects.
- Use of E27 and B22 lamp base, fit for traditional lamp replacement with ease of installation.
- High-quality LED light source – low light decay, long life span.
- Use of high efficiency constant current driver with stable performance on fast start and variable voltage input benefits.

Applications:

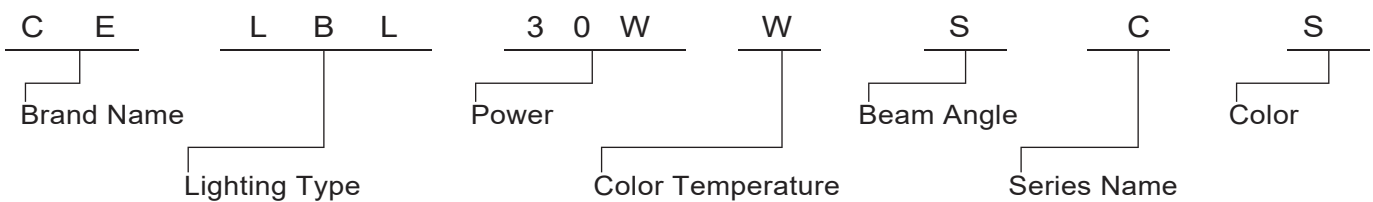
- Household
- Office
- Hotel
- School
- Hospital



Specifications:

Power	8W	14W	19W	30W	40W	57W
Size	Φ175mm	Φ213mm	Φ243mm	Φ280mm	Φ338mm	Φ380mm
Input Voltage	AC 100~240V 50/60Hz					
Beam Angle	110°					
Color Rendering Index	>70					
Luminaire Efficacy	70lm/w (3000K), 80lm/w (4000K), 90lm/w (6500K)					
LED Source Efficacy	110lm/w (3000K), 120lm/w (4000K), 130lm/w (6500K)					
Operating Temperature	-20°C~50°C					
Life Time	15,000 Hours					
Operating Humidity	0~99%RH					
Finishing Materials	Aluminum and Polycarbonate					
Body Color	Matte Silver / Matte Black / Matte Grey / Tailor-made					
RAL Color Code	RAL 9006 / RAL 9017 / RAL 7042 /					
Net Weight	90g	133g	165g	191g	312g	445g

Ordering Part No.:



Brand Name	Lighting Type	Power	Color Temperature	Beam Angle	Series Name	Color
CE: CELEX	LBL: Low Bay Light	08W 14W 19W 30W 40W 57W	W: 3000K N: 4000K C: 6500K	S: 110°	C: CYMBAL Series	S: Matte Silver B: Matte Balck G: Matte Grey