

LED DMX Linear Light CLARA Series



Description:

CLARA series LED linear light is a outdoor linear fixture available in three dimensions: 200mm / 600mm / 1000mm . It has monicolor or RGB LEDs able to be controlled by DMX. This product suits perfectly to architectural contour lighting on buildings, ornamental colour washing effects or integration instructors and facades. It's as well a great alternative to urban furniture due to its IP67 protection rating.

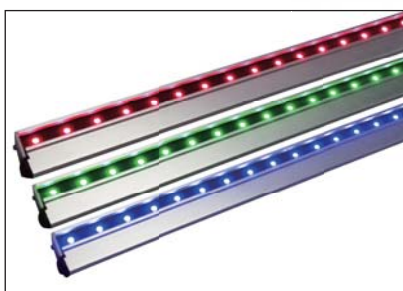
Features:

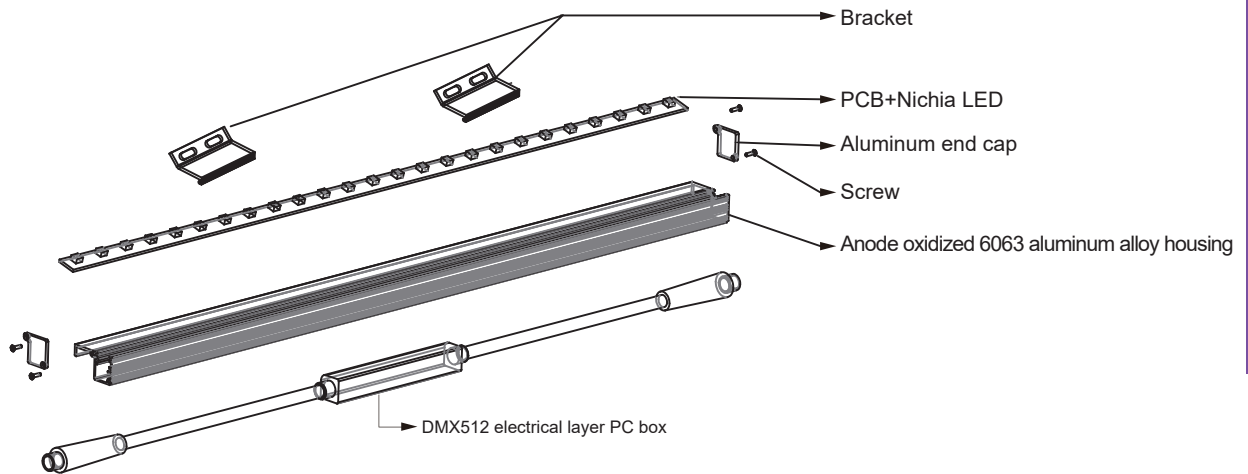
- Surface-mounted type
- Comply with DMX-512 (1990)
- External driver to comply with 1~10V ,leading edge and Dali dimming system
- Anode oxidized 6063 aluminum alloy and silicon epoxy encapsulated
- Integrated fired-resistant (V0) IP67 U.S.A 5 Pin connectors
- Display to 16,777,216 colors in RGB version
- Frame per second:>100 FPS at DMX 512 control
- Dimmable range:0~255 steps at DMX 512 dimming control
- 256 gradations for RGB version individually
- Built-in constant current circuit with PWM signal > 400Hz

Applications:

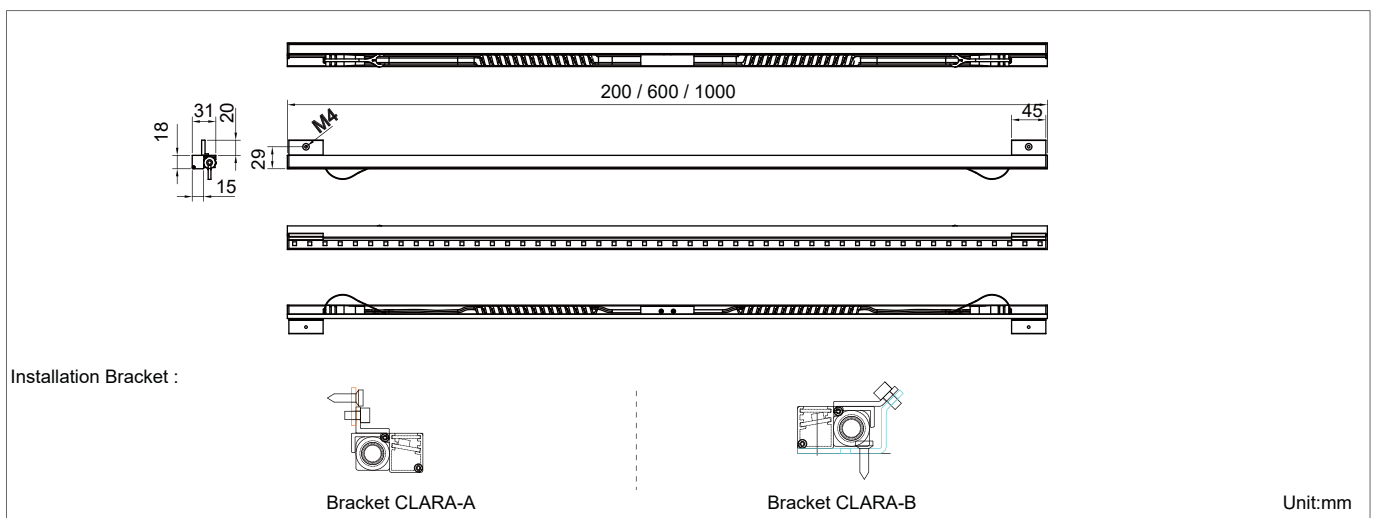
- Outdoor plaza
- The house of contours
- Bridges
- Landscape lighting

CLARA Series   

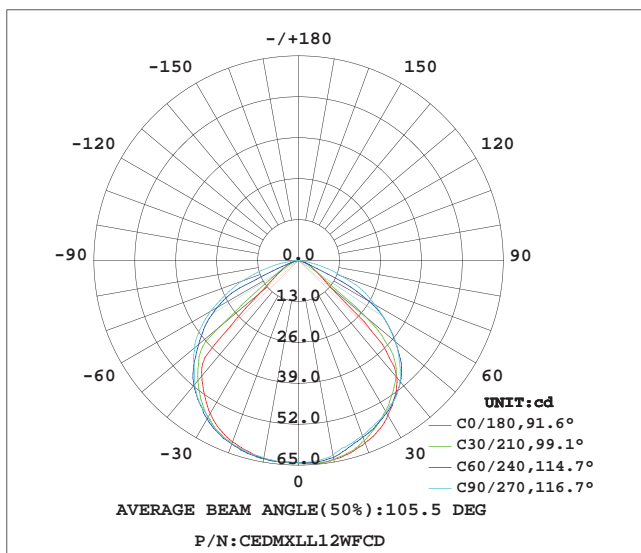




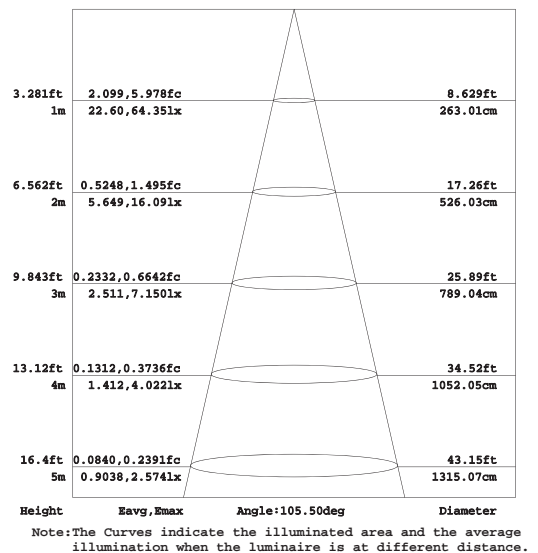
Product Dimensions:



Luminous Intensity Distribution Diagram:



Lux Distribution:



Manufacturing Quality Standard:

- ISO 9001:2008

LED Luminaire Standard:

- EN/IEC 60598-1
- EN/IEC 60598-2-1
- EN/IEC 60598-2-2
- EN/IEC 60529
- EN/IEC 62471-2
- IEC 62612
- EN/IEC 60968
- IEC 62560
- EN/IEC 60061-1
- EN 13032-1
- EN 13032-2
- EN/IEC 62471
- EN/IEC 60825
- EN 60061-1
- UL

Electronic Driver Standard:

- EN/IEC 61347-1
- EN/IEC 61347-2-13
- EN/IEC 62384
- EN/IEC 61000-3-2
- EN/IEC 61000-3-3
- EN/IEC 61547
- EN 55015(CISPR 15)

LED Module Standard:

- IEC 62031
- IEC 60838-2-2

LED Light Photometric Standard:

- CIE; TM14; LM-75; IES; LDT; CEN; CIB

RoHS Standard:

- EPA3050B
- EN 1122B
- IEC 62321
- EPA3052
- EPA3060A
- EPA7196A
- EPA3540C
- EPA8270D

LED Luminaire Performance:

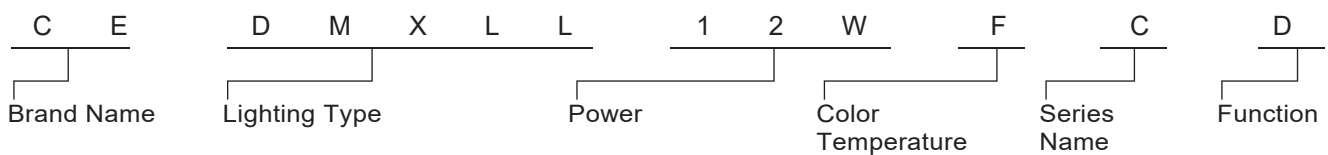
- LM-80-08
- Switching cycle: 100,000x



Specifications:

Power	12W	8W	4W
Size (Length)	1000mm	600mm	200mm
Net Weight	500g	350g	200g
Qty of LEDs	50PCS	30PCS	10PCS
Pixels Per Luminaire	5Pixels	3Pixels	1Pixels
DMX512 Channel Per Luminaire	15 DMX Channels	9 DMX Channels	3 DMX Channels
Pixel Pitch	19.8mm		
Input Voltage	DC 24V		
Control Protocol(optional)	DMX 512 / RDM		
Beam Angle	120°		
Color Rendering Index	80@White Color		
Luminaire Efficacy	*75lm/w(2700K), *80lm/w(3000K), *90lm/w(4000K), *95lm/w(5000K),	*100lm/w(6500K), *20lm/w(RGB), *10lm/w(Blue 450~460nm), *50lm/w(Red 620~630nm),	*65lm/w(Green 520~530nm), *30lm/w(Yellow 590~595nm)
LED Source Efficacy	*90lm/w(2700K), *95lm/w(3000K), *110lm/w(4000K), *115lm/w(5000K),	*120lm/w (6500K), *35lm/w(RGB), *20lm/w(Blue 450~460nm), *70lm/w(Red 620~630nm),	*80lm/w(Green 520~530nm), *50lm/w(Yellow 590~595nm)
LED Source	Japan Nichia		
Life Time	50,000 Hours		
Operating Temperature	-20°C~70°C		
Operating Humidity	0~99%RH		
Finishing Materials	Aluminum / Silicon Epoxy		
Body Color	Sliver / Matte Black / Matte Grey / Tailor-made		
RAL Color Code	9006 / 9017 / 7042 /		

Ordering Part No.:

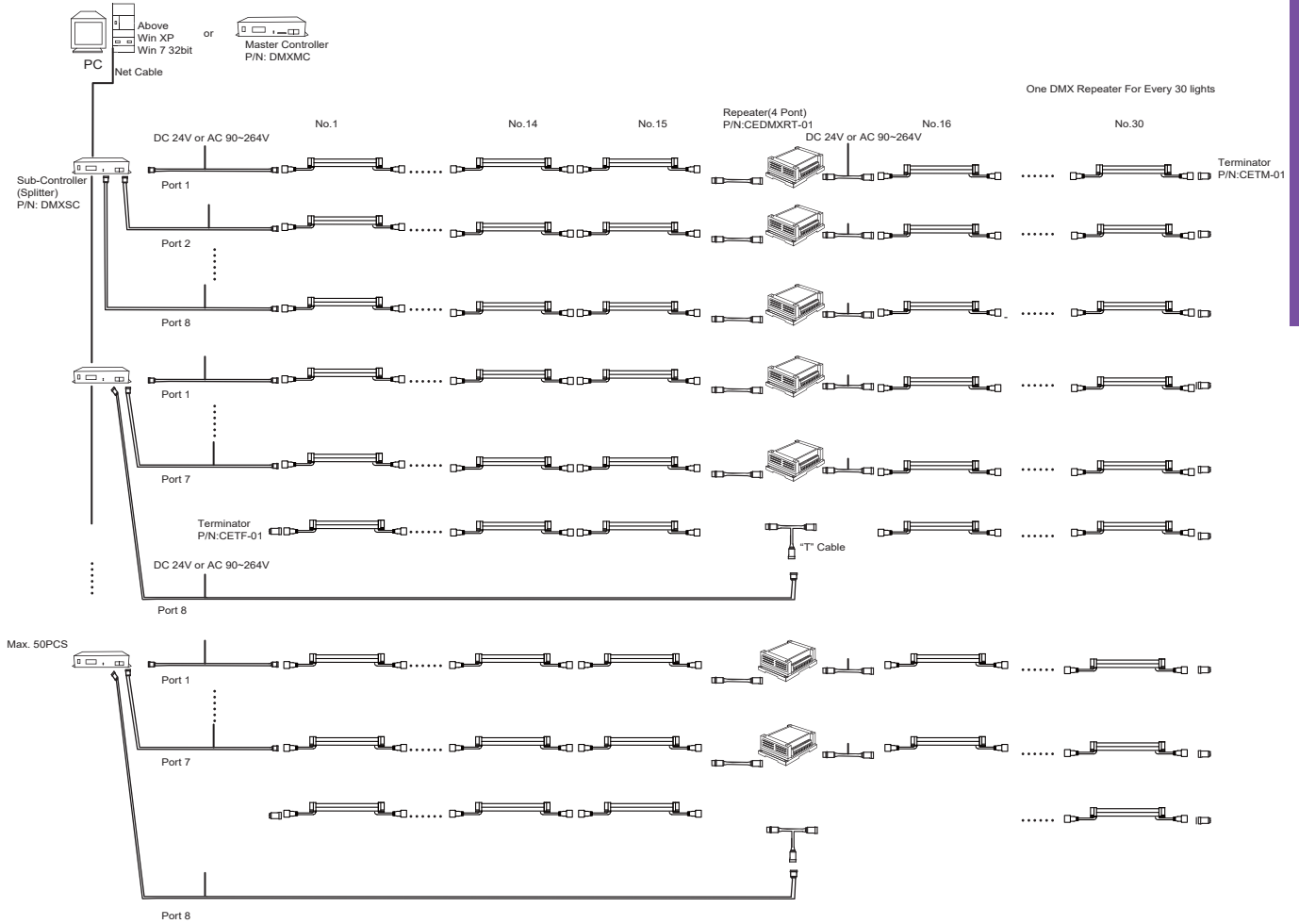


Brand Name	Lighting Type	Power	Color Temperature	Series Name	Function
CE: CELEX	DMXLL: DMX Linear Light	12W 08W 04W	O: 2700K W: 3000K N: 4000K D: 5000K C: 6500K R: Red(620~630nm) G: Green(520~530nm) B: Blue(450~460nm) Y: Yellow(590~595nm) F: Full Color(RGB)	C: CLARA Series	D: DMX 512 +DC 24V L: DC 24V R: RDM+DC 24V

LED DMX Linear Light CLARA Series



DMX Controllers:



Accessories:



DMX Repeater
P/N: CEDMXRT-01



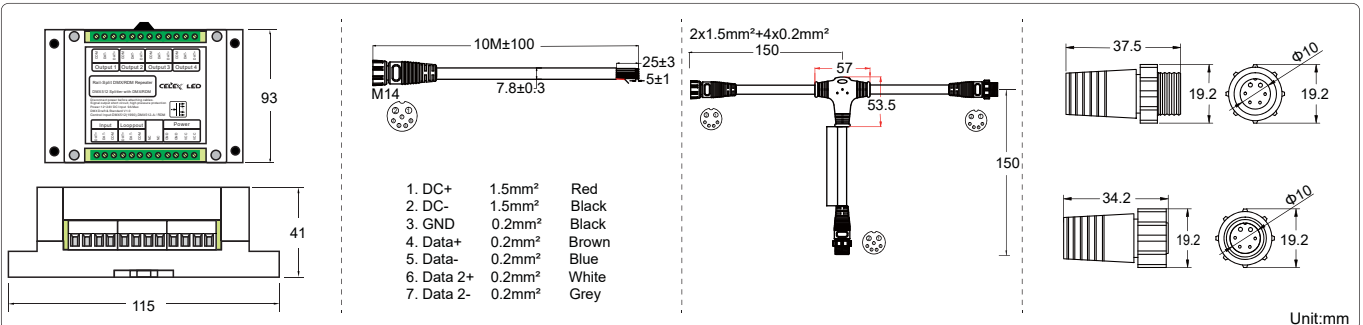
M14 7core signal shielding
extension wire-10m
P/N: CECEM14-7C-10M



M14 7 Core "T" Cable-150mm
P/N: CECEM14-7C-T



M14 Resistor 120 ohm Terminator
P/N: CETM-01 P/N: CETF-01



Master Controller
P/N: DMXMC



Sub-Controller (Splitter)
P/N: DMXSC

