



# BOLLARD LIGHT



## Application:

- Garden,
- Square,
- Residential area,
- Park,
- Street

### Manufacturing Quality Standard:

- ISO 9001:2008

### Light Photometric Standard:

- CIE; TM14; LM-75; IES; LDT; CEN; CIB

# Bollard Light



## QOLA

- Grey
- Black



### Materials

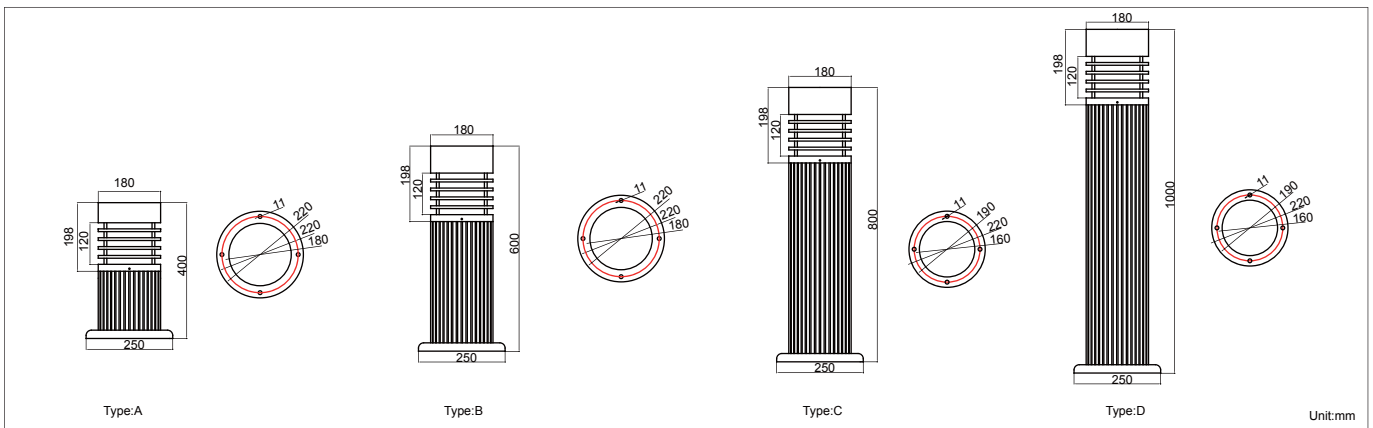
- Casting aluminum lamp body, aesthetic and durable
- Milk white PMMA lamp cover
- Bolt / nut is made of stainless steel(Outside part)
- IP65
- Insulation grade: Class I

### Manufacture craft

- Spray anti-ultraviolet outdoor power
- Anti-Corrosion /acid/alkali

Light Source	Lamp Socket	Input Voltage
TC-DSE 26W	E27	AC220V/50Hz
TC-DSE 18W	E27	AC220V/50Hz
CDM-T 35W	G12	AC220V/50Hz
LED 3W	E27	AC220V/50Hz
LED 10W	E27	AC220V/50Hz

### Product Dimensions:



## ZUE

- Grey
- Black



### Materials

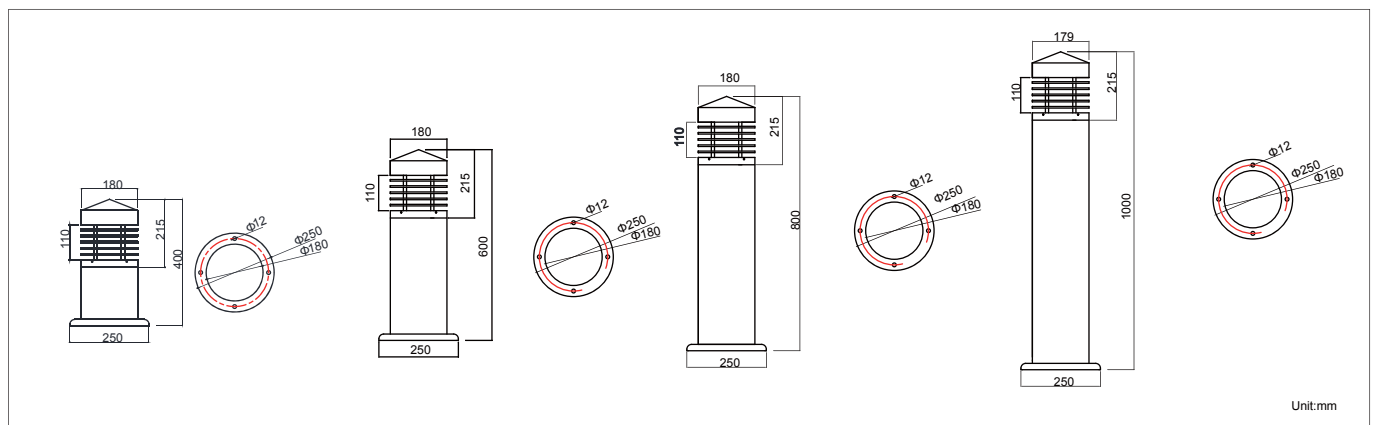
- Casting aluminum lamp body, aesthetic and durable
- Milk white PMMA lamp cover
- Bolt / nut is made of stainless steel(Outside part)
- IP65
- Insulation grade: Class I

### Manufacture craft

- Spray anti-ultraviolet outdoor power
- Anti-Corrosion /acid/alkali

Light Source	Lamp Socket	Input Voltage
TC-DSE 26W	E27	AC220V/50Hz
TC-DSE 18W	E27	AC220V/50Hz
CDM-T 35W	G12	AC220V/50Hz
LED 3W	E27	AC220V/50Hz
LED 10W	E27	AC220V/50Hz

### Product Dimensions:



YALO



- Grey
- Black

**Materials**

- Casting aluminum lamp body, aesthetic and durable
- Milk white PMMA lamp cover
- Bolt / nut is made of stainless steel(Outside part)
- IP65
- Insulation grade: Class I

**Manufacture craft**

- Spray anti-ultraviolet outdoor power
- Anti-Corrosion /acid/alkali

Light Source	Lamp Socket	Input Voltage
TC-DSE 26W	E27	AC220V/50Hz
TC-DSE 18W	E27	AC220V/50Hz
CDM-T 35W	G12	AC220V/50Hz
LED 3W	E27	AC220V/50Hz
LED 10W	E27	AC220V/50Hz

**Product Dimensions:**

