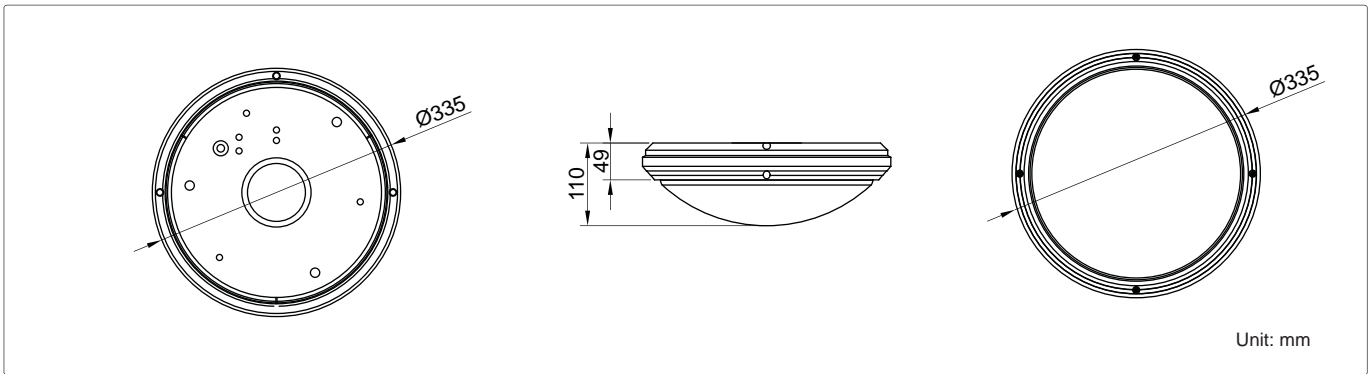
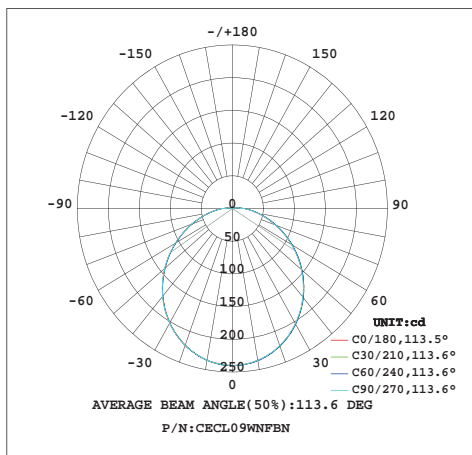




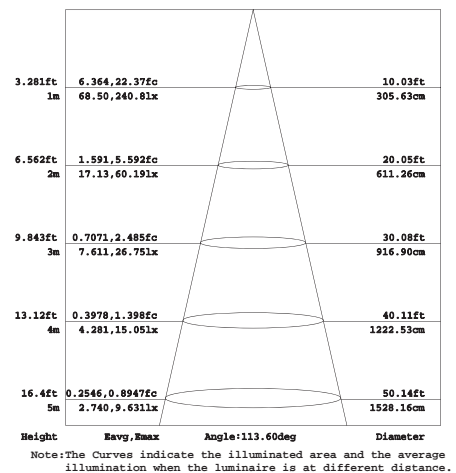
Product Dimensions:



Luminous Intensity Distribution Diagram:



Lux Distribution:



Manufacturing Quality Standard:

- ISO 9001:2008

LED Luminaire Standard:

- EN/IEC 60598-1
- EN/IEC 60598-2-1
- EN/IEC 60598-2-2
- EN/IEC 60529
- EN/IEC 62471

LED Module Standard:

- IEC 62031
- IEC 60838-2-2

Electronic Driver Standard:

- EN/IEC 61347-1
- EN/IEC 61347-2-13
- EN/IEC 62384
- EN/IEC 61000-3-2
- EN/IEC 61000-3-3
- EN/IEC 61547
- EN 55015(CISPR 15)

RoHS Standard:

- IEC 62321

LED Luminaire Performance:

- LM-80-08
- Switching cycle: 100,000x

LED Light Photometric Standard:

- CIE; TM14; LM-75; IES; LDT; CEN; CIB

Features:

- Wall-mounted & ceiling mounted
- Each LED module is independent working
- Polycarbonate cover for uniform illumination
- High power factor and power efficiency design
- Fuse terminal design for short circuit protection
- Built-in constant current power supply
- 1~10V optional dimmable function

Applications:

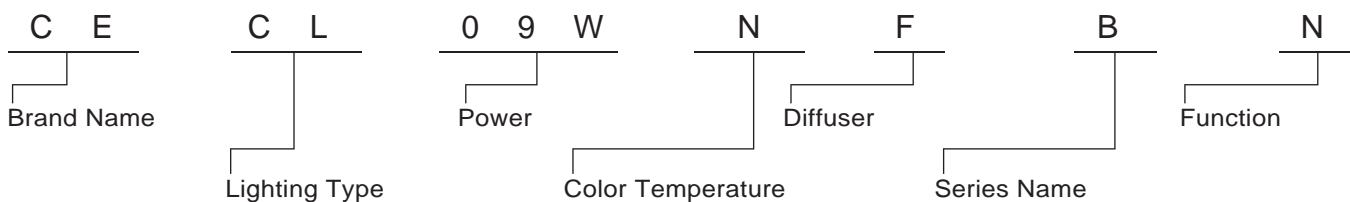
- Commercial building
- Corridor and staircase
- Home use
- Car parks



Specifications:

Power	7W / 9W / 14W
Input Voltage:	AC 220-240V 50/60Hz
Power Factor:	>0.9
Beam Angle	120°
Color Rendering Index	80
Luminaire Efficacy	80lm/w(3000K), 85lm/w (4000K), 90lm/w(6500K)
LED Source Efficacy	130lm/w (3000K), 140lm/w (4000K), 150lm/w (6500K)
LED Source	SMD
Life Time	35,000 Hours
Operating Temperature	-20°C-50°C
Operating Humidity	10%-90%RH
Finishing Materials	White Powder Coating with Polycarbonate Cover
Body Color	Milky White
RAL Color Code	RAL 9003
Net Weight	1085g

Ordering Part No.:



Brand Name	Lighting Type	Power	Color Temperature	Diffuser	Series Name	Function
CE: CELEX	CL: Ceiling Light	07W 09W 14W	W: 3000K N: 4000K C: 6500K	O: Opal F: Frosted	B: BELLE Series	E: Emergency S: Microwave Motion Sensor M: Emergency and Microwave Motion Sensor N: Switch In