

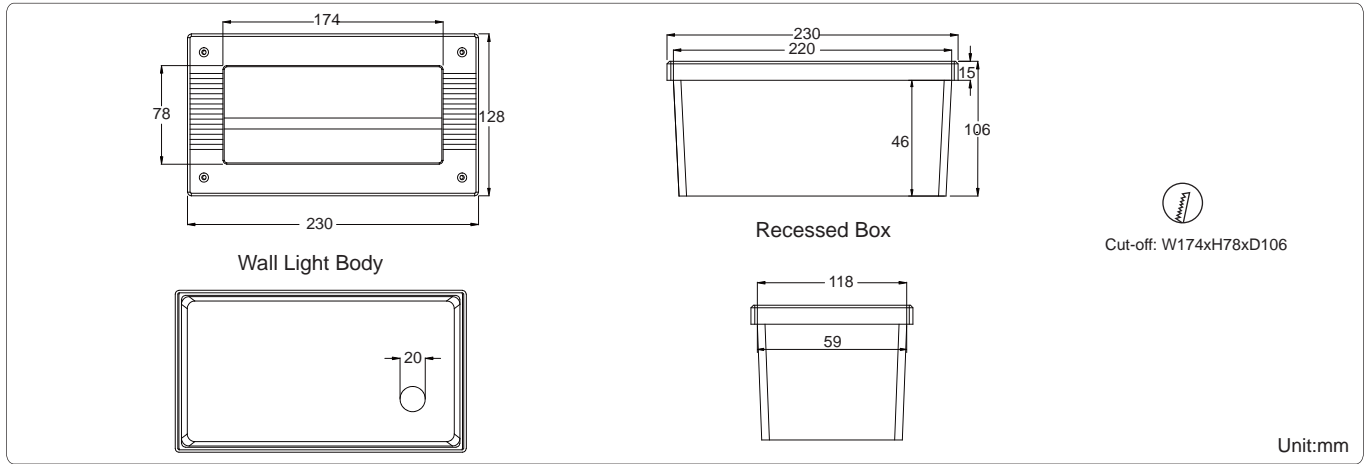
LED Wall Light 8W Recessed "B" Series



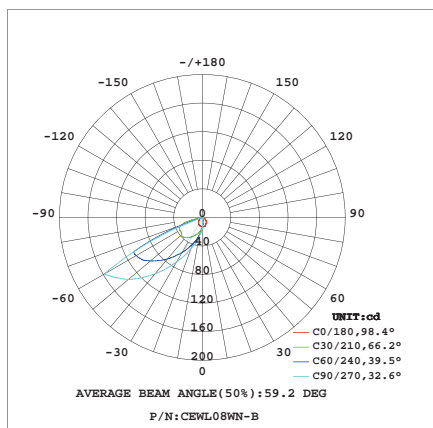
LED Wall Light 8W



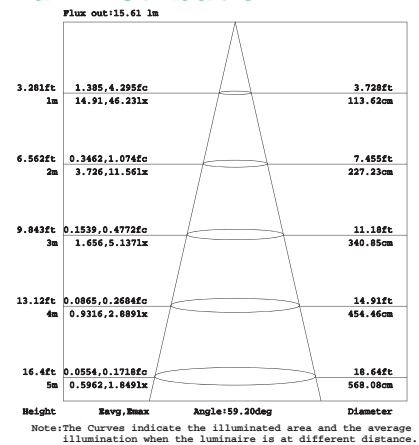
Product Dimensions:



Luminous Intensity Distribution Diagram:



Lux Distribution:



Manufacturing Quality Standard:

• ISO 9001:2008

LED Luminaire Standard:

- EN/IEC 60598-1
- EN/IEC 60598-2-1
- EN/IEC 60598-2-2
- EN/IEC 60529
- EN/IEC 62471-2
- IEC 62612
- EN/IEC 60968
- IEC 62560
- EN/IEC 60061-1
- EN 13032-1
- EN 13032-2
- EN/IEC 62471
- EN/IEC 60825
- EN 60061-1

Electronic Driver Standard:

- EN/IEC 61347-1
- EN/IEC 61347-2-13
- EN/IEC 62384
- EN/IEC 61000-3-2
- EN/IEC 61000-3-3
- EN/IEC 61547
- EN 55015(CISPR 15)

LED Module Standard:

- IEC 62031
- IEC 60838-2-2

LED Light Photometric Standard:

- CIE; TM14; LM-75; IES; LDT; CEN; CIB

RoHS Standard:

- EPA3050B
- EN 1122B
- IEC 62321
- EPA3052
- EPA3060A
- EPA7196A
- EPA3540C
- EPA8270D

LED Luminaire Performance:

- Switching cycle:100,000x



Features:

- Life time:50,000 hours
- Excellent waterproof performance
- Excellent cooling system
- High-pressure die-casting aluminium housing
- Surface electroatatic spray coating
- Built-in high power factor and power efficiency power supply with IP66

Applications:

- Public squares
- Parks
- Foyer landscaping
- Stairs



Specifications:

Part No	CCT	Beam Angle	CRI	Luminous Intensity (cd)	Luminous (lm)	Power (w)
CEWL08WW-B	3000K	60°	80	140	110lm	8
CEWL08WN-B	4000K	60°	80	160	125lm	8
CEWL08WC-B	6500K	60°	80	180	145lm	8

General And Electrical Characteristics:

- Input Voltage:AC 100~240V(50/60Hz)
- Power Factor:0.9
- Operating Temperature:-30°C ~ 60°C
- Operation Humidity:0~100%
- Life Time:50,000 Hours
- Housing Materials:Aluminum/Glass
- Body Color:Black
- LED Source:CREE / OSRAM
- Net Weight:1.55kg

Installation Steps

