



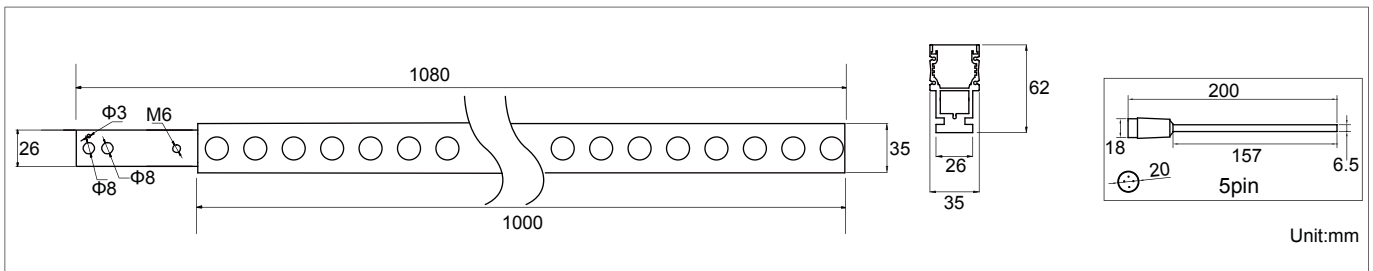
Lens Version



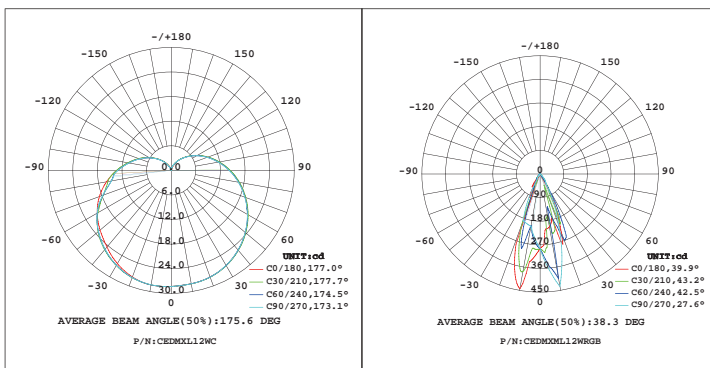
Milky Cover



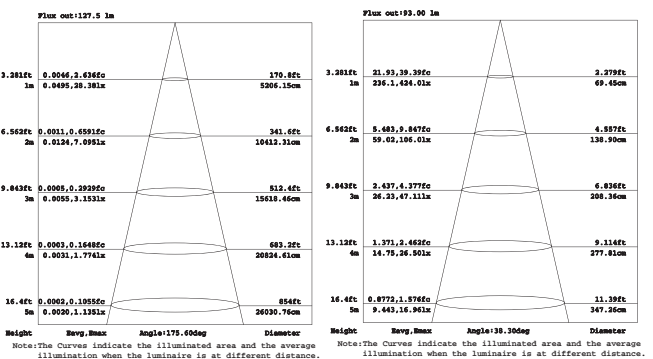
Product Dimensions:



Luminous Intensity Distribution Diagram:



Lux Distribution:



Manufacturing Quality Standard:

- ISO 9001:2008

LED Luminaire Standard:

- EN/IEC 60598-1
- EN/IEC 60598-2-1
- EN/IEC 60598-2-2
- EN/IEC 60529
- EN/IEC 62471-2
- IEC 62612
- EN/IEC 60968
- IEC 62560
- EN/IEC 60061-1
- EN 13032-1
- EN 13032-2
- EN/IEC 62471
- EN/IEC 60825
- EN 60061-1

Electronic Driver Standard:

- EN/IEC 61347-1
- EN/IEC 61347-2-13
- EN/IEC 62384
- EN/IEC 61000-3-2
- EN/IEC 61000-3-3
- EN/IEC 61547
- EN 55015(CISPR 15)

LED Module Standard:

- IEC 62031
- IEC 60838-2-2

LED Light Photometric Standard:

- CIE; TM14; LM-75; IES; LDT; CEN; CIB

RoHS Standard:

- EPA3050B
- EN 1122B
- IEC 62321
- EPA3052
- EPA3060A
- EPA7196A
- EPA3540C
- EPA8270D

LED Luminaire Performance:

- LM-80-08
- Switching cycle:100,000x



Features:

- Comply with standard DMX 512(Digital Multiplex) controller system
- Built-in DMX address IC for IP writing
- Display to 16,777,216 colors
- Frame per second:>100 FPS
- Dimmable range:0~255 steps
- 256 gradations for RGB individually
- Built-in constant current driver with PWM signal > 400Hz
- 6063 aluminum alloy housing with anode oxidation
- Convenient installation with unique brackets
- Optional milky tempered glass diffuser for uniform illumination
- Optional lens for precise light distribution system

Applications:

- Outdoor plaza
- The House of contours
- Bridges
- Landscape lighting



Specifications:

Part No	CCT	Qty of LEDs/m (pcs)	Luminaire Luminous Flux (lm)	Sections	Power (W)
CEDMXML12WRGB	Full Color	48	167	8	12
CEDMXML12WW	3000K	48	450	8	12
CEDMXML12WN	4000K	48	500	8	12
CEDMXML12WC	6000K	48	600	8	12
CEDMXML12WY	Yellow 590~595nm	48	250	8	12
CEDMXML12WB	Blue 450~460nm	48	150	8	12
CEDMXML12WR	Red 620~630nm	48	300	8	12
CEDMXML12WG	Green 520~530nm	48	600	8	12

Products Characteristic:

- Input:DC 24V
- Control Protocol:DMX 512
- Operating Temperature: -20°C ~ 50°C
- House Material:Aluminum & Tempered Glass
- Body Color: Silver Grey
- LED Type: Taiwan or Samsung
- Net Weight: 1.5kg

Off-line DMX Controllers

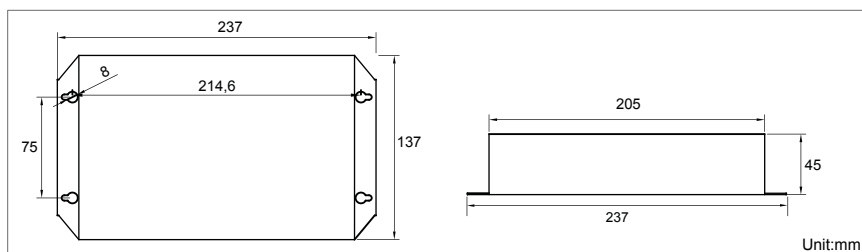


P/N:DMXSC Sub-Controller

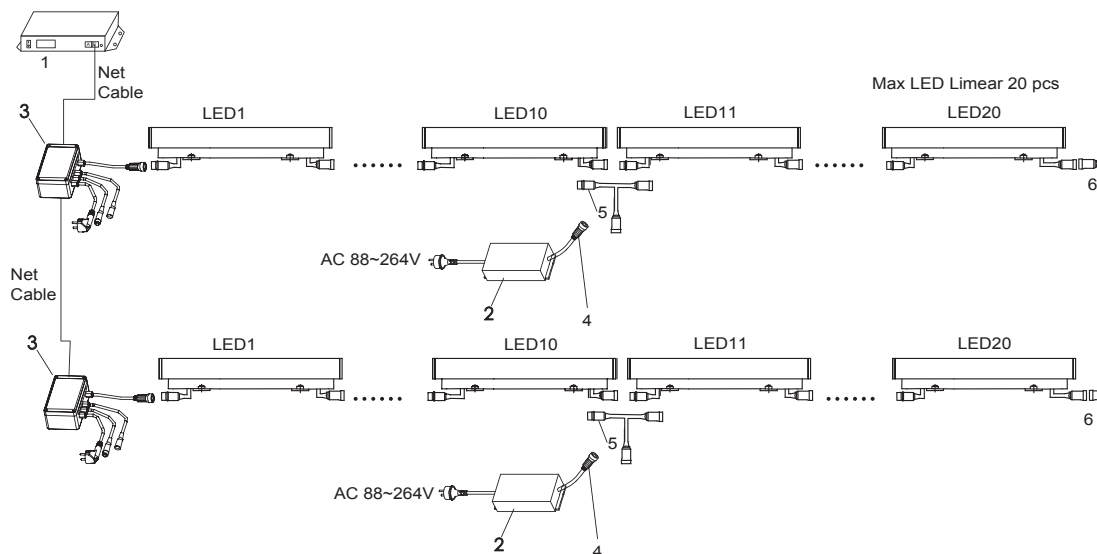


P/N:DMXMC Master Controller

DMXSC & DMXMC Product Dimensions:

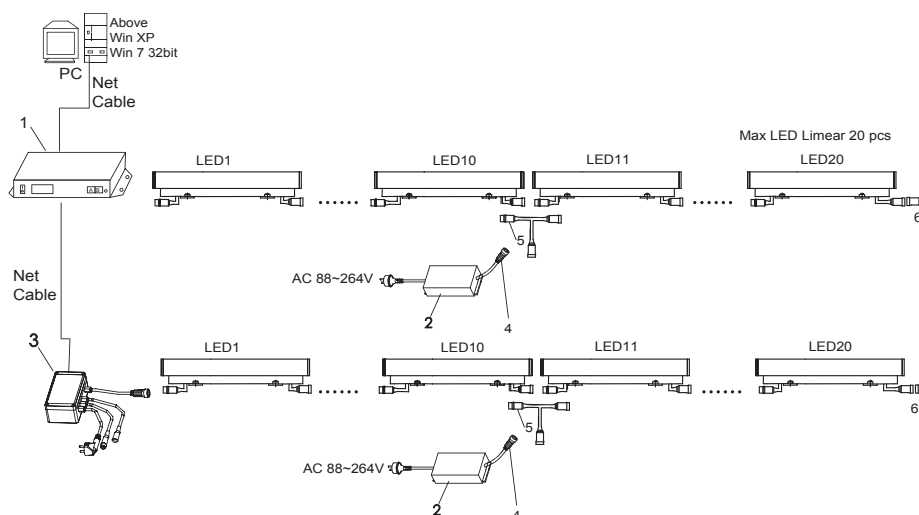


Installation Instructions For Point Light Application--Off-line Control



1. Master controller (DMXMC)
2. Switching power supply(DC24V)
3. Sub controller (DMXSC)
4. 5 Pin Power female connector IP65 (Φ20mm)
5. 3 channel connector
6. End cap IP65 (Φ18~20mm)

Installation Instructions For Point Light Application--P/C Control



1. Master controller(DMXMC)
2. Switching power supply(DC24V)
3. Sub controller (DMXSC)
4. 4Pin Power female connector IP65 (Φ20mm)
5. 3 channel connector
6. End cap (Φ18~20mm)



■ Features :

- Universal AC input / Full range
- Built-in active PFC function, PF>0.95
- Protections: Short circuit / Overload / Over voltage / Over temperature
- Forced air cooling by built-in DC Fan
- Built-in fan speed control
- Fixed switching frequency at 100KHz
- 3 years warranty

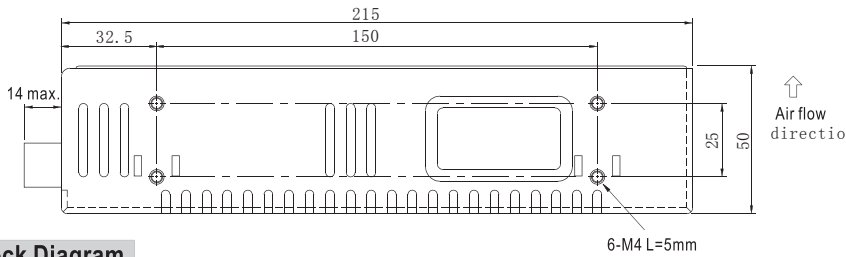
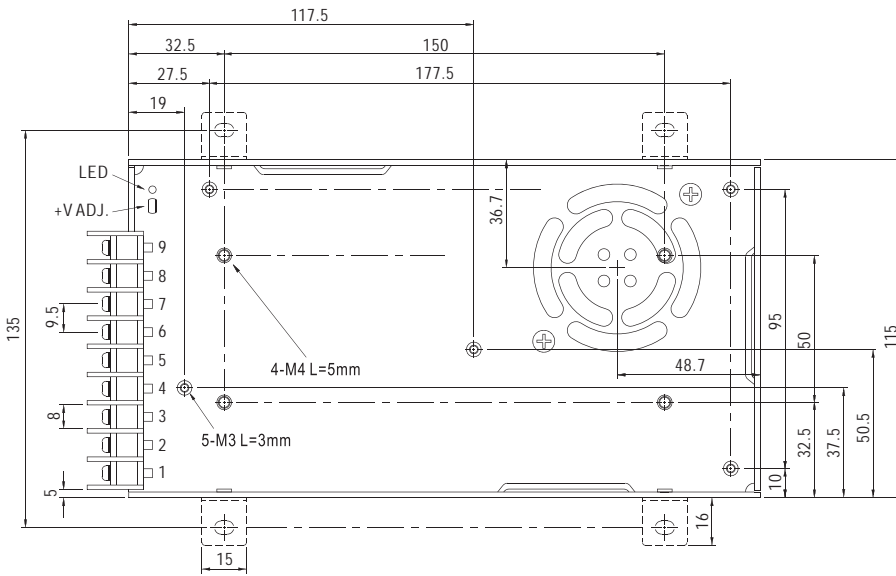


■ Specification

MODEL		SP-320-24		
OUTPUT	DC VOLTAGE	24V		
	RATED CURRENT	13A		
	CURRENT RANGE	0~13A		
	RATED POWER	312A		
	RIPPLE & NOISE (max.)	150mVp-p		
	VOLTAGE ADJ. RANGE	20~26.4		
	VOLTAGE TOLERANCE	±1.0%		
	LINE REGULATION	±0.2%		
	LOAD REGULATION	±0.5%		
	SETUP, RISE TIME	800ms, 50ms/230VAC 2500ms, 50ms/115VAC at full load		
HOLD UP TIME (Typ.)	16ms/230VAC 16ms/115VAC at full load			
INPUT	VOLTAGE RANGE	88 ~ 264VAC 124 ~ 370VDC		
	FREQUENCY RANGE	47 ~ 63Hz		
	POWER FACTOR (Typ.)	PF>0.95/230VAC PF>0.98/115VAC at full load		
	EFFICIENCY (Typ.)	87%		
	AC CURRENT (Typ.)	115VAC	5A	
		230VAC	2.5A	
	INRUSH CURRENT (Typ.)	20A/115VAC 40A/230VAC		
LEAKAGE CURRENT	<1mA / 240VAC			
PROTECTION	OVERLOAD	105 ~ 135% rated output power Protection type : Hiccup mode, recovers automatically after fault condition is removed		
	OVER VOLTAGE	27.6 ~ 32.4V Protection type : Shut down o/p voltage, re-power on to recover		
	OVER TEMPERATURE	80°C ±5°C (70°C ±5°C 3.3V,5V only) (TSW1 : detect on heatsink of power transistor) Protection type : Shut down o/p voltage, recovers automatically after temperature goes down		
ENVIRONMENT	WORKING TEMP.	-20 ~ +65°C (Refer to "Derating Curve")		
	WORKING HUMIDITY	20 ~ 90% RH non-condensing		
	STORAGE TEMP., HUMIDITY	-40 ~ +85°C, 10 ~ 95% RH		
	TEMP. COEFFICIENT	±0.03%/°C (0 ~ 50°C)		
VIBRATION	10 ~ 500Hz, 2G 10min./1cycle, 60min. each along X, Y, Z axes			
SAFETY & EMC (Note 4)	SAFETY STANDARDS	UL60950-1, TUV EN60950-1, CCC GB4943(except for 3.3V, 36V) approved		
	WITHSTAND VOLTAGE	I/P-O/P:3KVAC I/P-FG:1.5KVAC O/P-FG:0.5KVAC		
EMC (Note 4)	ISOLATION RESISTANCE	I/P-O/P, I/P-FG, O/P-FG:100M Ohms / 500VDC / 25°C / 70% RH		
	EMC EMISSION	Compliance to EN55022 (CISPR22) Class B, EN61000-3-2-3		
	EMC IMMUNITY	Compliance to EN61000-4-2,3,4,5,6,8,11, EN55024, light industry level, criteria A		
OTHERS	MTBF	207K hrs min. MIL-HDBK-217F (25°C)		
	DIMENSION	215*115*50mm (L*W*H)		
	PACKING	1.1Kg; 12pcs/14Kg/0.92CUFT		

Mechanical Specification

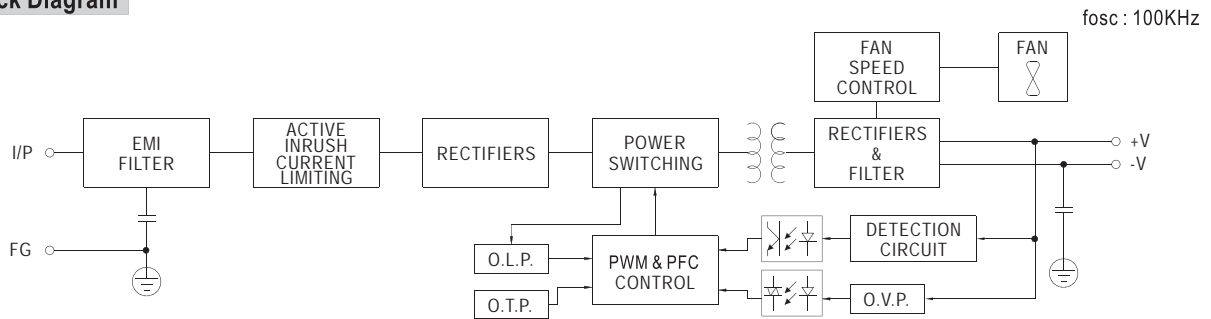
Case No. 912G Unit:mm



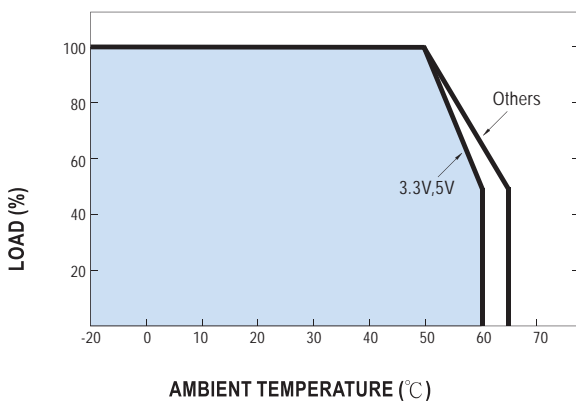
Terminal Pin No. Assignment :

Pin No.	Assignment	Pin No.	Assignment
1	AC/L	4~6	DC OUTPUT -V
2	AC/N	7~9	DC OUTPUT +V
3	FG		

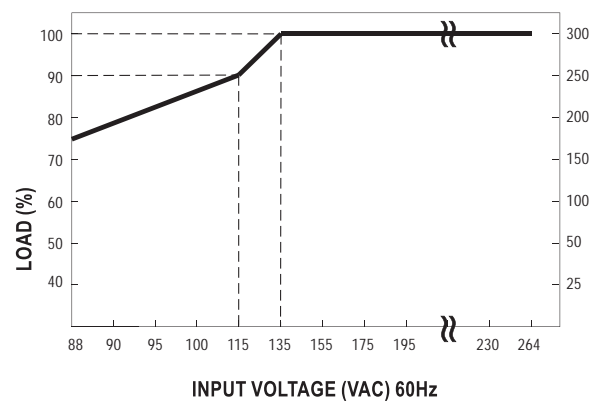
Block Diagram



Derating Curve



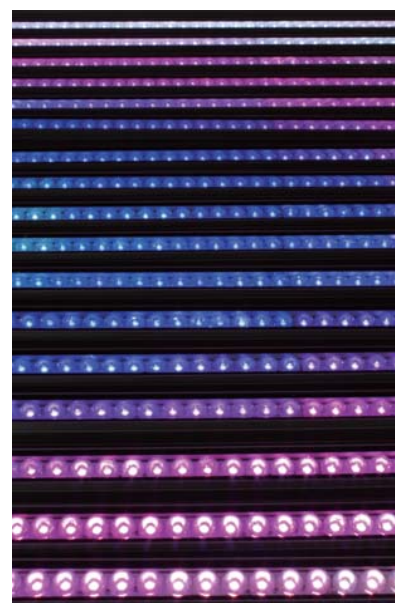
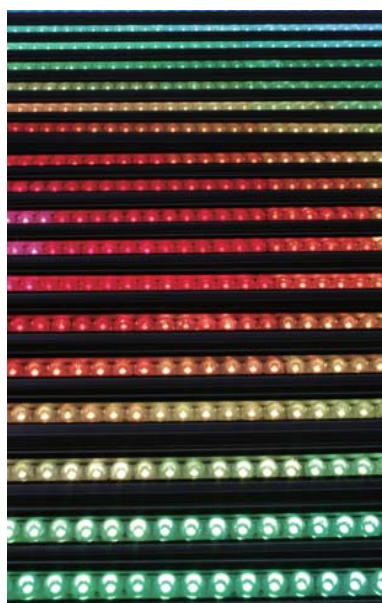
Static Characteristics



LED DMX Medium Linear Light AURORA Series



DMX Architectural Effect



LED DMX Medium Linear Light

