

Description:

ATHENS II series LED Linear light is a outdoor linear fixture available in four dimensions: 250mm/500mm/1000mm/1500mm. It has monocolour , RGB or RGBW LEDs able to be controlled by DMX / 1~10V / leading edge and dali dimming. This product suits perfectly to architectural contour lighting on buildings, ornamental colour washing effects or integration instructors and facades. It's as well a great alternative to urban furniture due to its IP65 protection rating.

Features:

- Surface-mounted type
- Comply with DMX-512 (1990)
- External driver to comply with 1~10V ,leading edge and dali dimming system
- Anode oxidized 6063 aluminum alloy and milky polycarbonate
- Integrated fired-resistant (V0) IP67 U.S.A 5 Pin connectors
- Display to 16,777,216 colors in RGB or RGB version
- Frame per second:>100 FPS at DMX 512 control
- Dimmable range:0~255 steps at DMX 512 dimming control
- 256 gradations for RGB or RGBW version individually
- Built-in constant current circuit with PWM signal > 400Hz
- Unique polycarbonate milky cover diffuser for uniform illumination
- Straight-line installation will not the dark areas

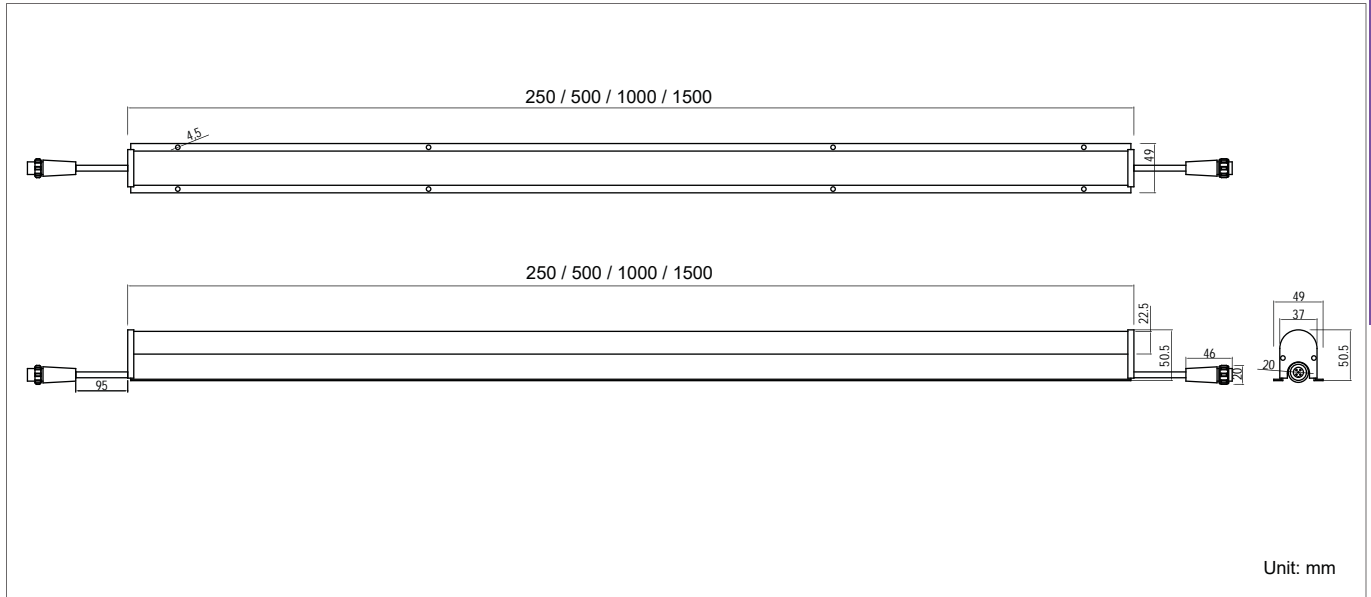
Applications:

- Outdoor plaza
- The house of contours
- Bridges
- Landscape lighting

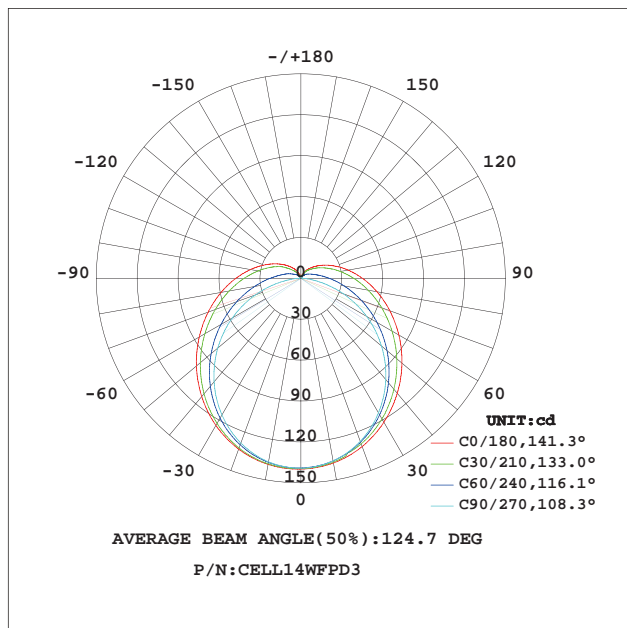
ATHENS II Series



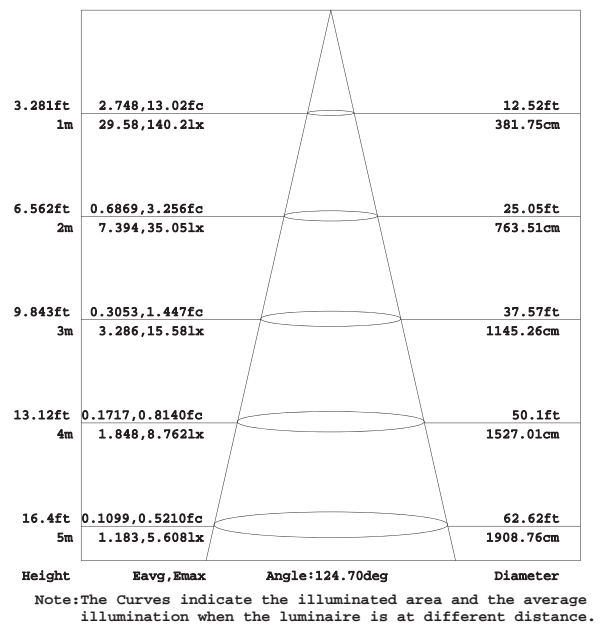
Product Dimensions:



Luminous Intensity Distribution Diagram:



Lux Distribution:



Manufacturing Quality Standard:

- ISO 9001:2008

LED Luminaire Standard:

- EN/IEC 60598-1
- EN/IEC 60598-2-1
- EN/IEC 60598-2-2
- EN/IEC 60529
- EN/IEC 62471-2
- IEC 62612
- EN/IEC 60968
- IEC 62560
- EN/IEC 60061-1
- EN 13032-1
- EN 13032-2
- EN/IEC 62471
- EN/IEC 60825
- EN 60061-1
- UL

Electronic Driver Standard:

- EN/IEC 61347-1
- EN/IEC 61347-2-13
- EN/IEC 62384
- EN/IEC 61000-3-2
- EN/IEC 61000-3-3
- EN/IEC 61547
- EN 55015(CISPR 15)

LED Module Standard:

- IEC 62031
- IEC 60838-2-2

LED Light Photometric Standard:

- CIE; TM14; LM-75; IES; LDT; CEN; CIB

RoHS Standard:

- EPA3050B
- EN 1122B
- IEC 62321
- EPA3052
- EPA3060A
- EPA7196A
- EPA3540C
- EPA8270D

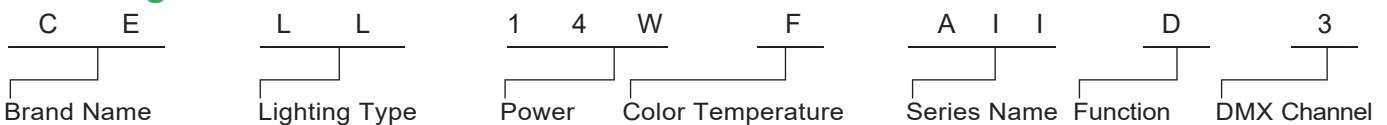
LED Luminaire Performance:

- LM-80-08
- Switching cycle: 100,000x

Specifications:

Power	14W(Max)	10W(Max)	5W(Max)	3W(Max)
Size (Length)	1500mm	1000mm	500mm	250mm
Net Weight	1.3kg	0.95kg	0.6kg	0.3kg
Qty of LEDs	72PCS	48PCS	24PCS	12PCS
Pixels(Sections) per Luminaire	12Pixels (Max)	8Pixels (Max)	4Pixels (Max)	2Pixels (Max)
DMX512 Channel per Luminaire	3 Channels(Mono Color) 3 Channels (RGB) 4 Channels (RGBW) 12x3 Channels (RGB) 12x4 Channels (RGBW)	3 Channels(Mono Color) 3 Channels (RGB) 4 Channels (RGBW) 8x3 Channels (RGB) 8x4 Channels (RGBW)	3 Channels(Mono Color) 3 Channels (RGB) 4 Channels (RGBW) 4x3 Channels (RGB) 4x4 Channels (RGBW)	3 Channels(Mono Color) 3 Channels (RGB) 4 Channels (RGBW) 2x3 Channels (RGB) 2x4 Channels (RGBW)
Input Voltage	DC 24V			
Control Protocol(optional)	DMX 512 / 1~10V / Triac Dimming Leading Edge / Dali Dimming			
Beam Angle	140°			
Color Rendering Index	80@White Color			
Color	Monocolor		RGB	RGBW
Luminaire Efficacy (Max)	*75lm/w(2700K), *80lm/w(3000K), *90lm/w(4000K), *95lm/w(5000K), *100lm/w(6500K), *10lm/w(Blue 450~460nm), *50lm/w(Red 620~630nm), *65lm/w(Green 520~530nm), *30lm/w(Yellow 589~595nm)		*40lm/w max *R: 620~630nm *G: 520~530nm *B: 480~485nm	*53lm/w RGBO(2700K), *55lm/w RGBW(3000K), *60lm/w RGBN(4000K), *65lm/w RGBD(5000K), *70lm/w RGBC(6500K)
LED Source Efficacy (Max)	*90lm/w(2700K), *95lm/w(3000K), *110lm/w(4000K), *115lm/w(5000K), *120lm/w(6500K), *20lm/w(Blue 450~460nm), *70lm/w(Red 620~630nm), *80lm/w(Green 520~530nm), *50lm/w(Yellow 590~595nm)		*75lm/w max *R: 620~630nm *G: 520~530nm *B: 480~485nm	*80lm/w RGBO(2700K), *80lm/w RGBW(3000K), *85lm/w RGBN(4000K), *90lm/w RGBD(5000K), *95lm/w RGBC(6500K)
LED Source	CREE / Taiwan Epistar			
Life Time	50,000 Hours			
Operating Temperature	-20°C~70°C			
Operating Humidity	0%~90%RH			
Finishing Materials	Aluminum and Milky Polycarbonate			
Body Color	Sliver / Matte Black / Matte Grey / Tailor-made			
RAL Color Code	9006 / 9017 / 7042 /			

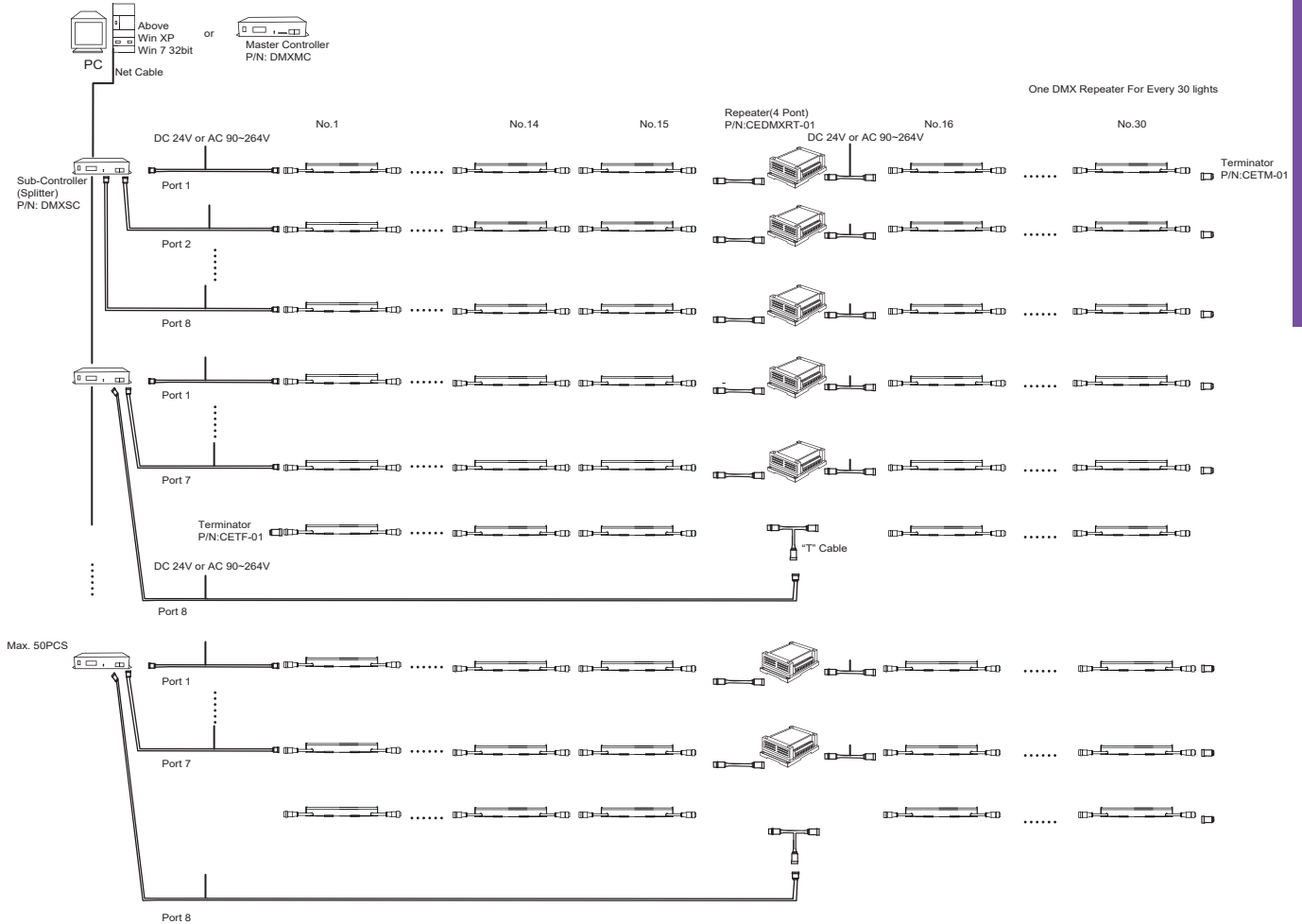
Ordering Part No.:



Brand Name	Lighting Type	Power	Color Temperature	Series Name	Function	DMX Channel
CE: CELEX	LL: Linear Light	14W 10W 05W 03W	O: 2700K W: 3000K N: 4000K D: 5000K C: 6500K R: Red(620~630nm) G: Green(520~530nm) B: Blue(450~460nm) Y: Yellow(590~595nm) F: Full Color(RGB) FO: RGBO(2700K) FW: RGBW(3000K) FN: RGBN(4000K) FD: RGBD(5000K) FC: RGBC(6500K)	All: ATHENS II Series	D: DMX 512 +DC 24V L: DC 24V(Driver) T: Triac Dimming Leading Edge (External Driver) V: 1~10V Dimming +DC 24V (External Driver) I: Dali Dimming (External Driver)	3 4 2X3 2X4 3X3 3X4 4X3 4X4 8X3 8X4 12X3 12X4

LED Linear Light ATHENS II Series

DMX Controllers:



Accessories:



DMX Repeater
P/N: CEDMXRT-01



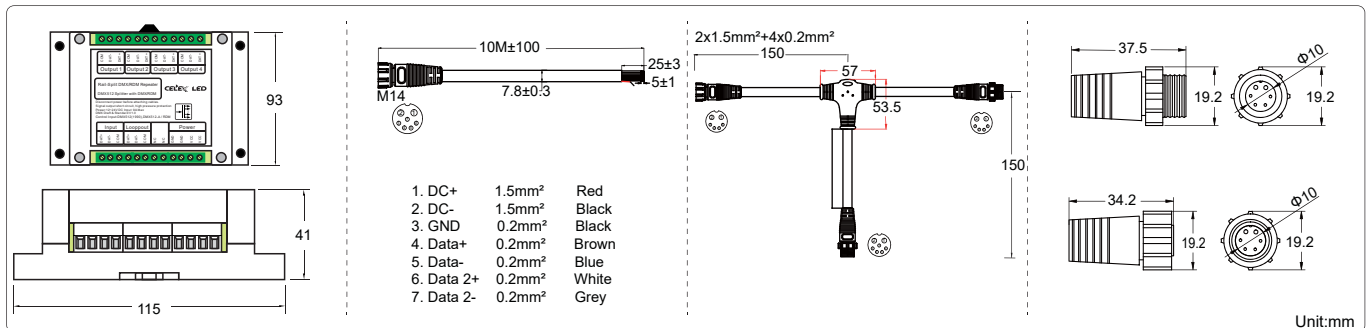
M14 7core signal shielding
extension wire-10m
P/N: CECM14-7C-10M



M14 7 Core "T" Cable-150mm
P/N: CECM14-7C-T



M14 Resistor 120 ohm Terminator
P/N: CETM-01 P/N: CETF-01



Master Controller
P/N: DMXMC



Sub-Controller (Splitter)
P/N: DMXSC

