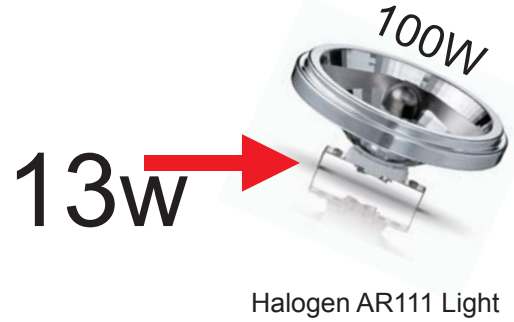


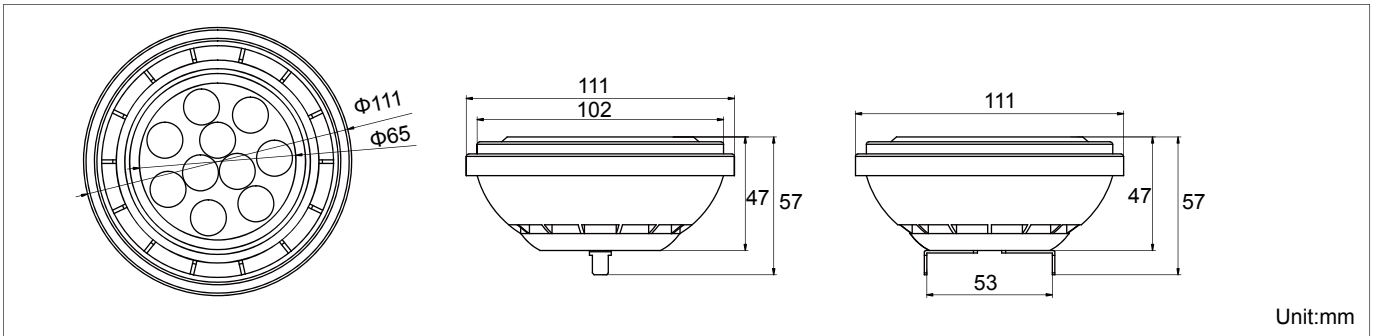
# LED Spot Light AR111 LOCUS Series 13W



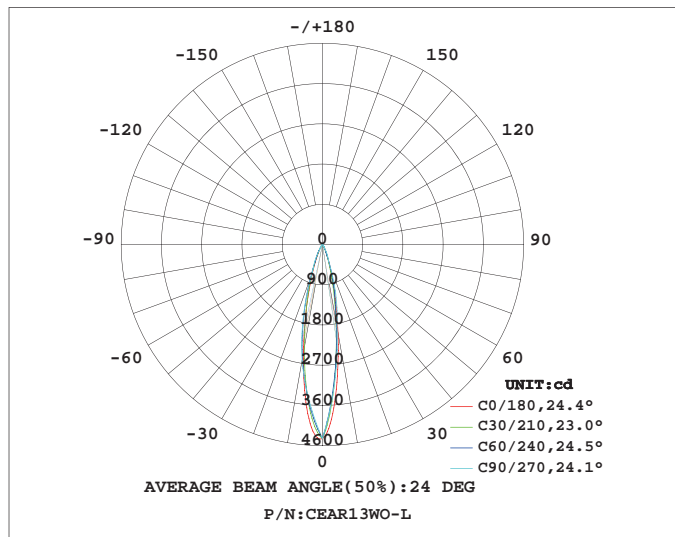
LED Spot Light AR111  
LOCUS Series 13W



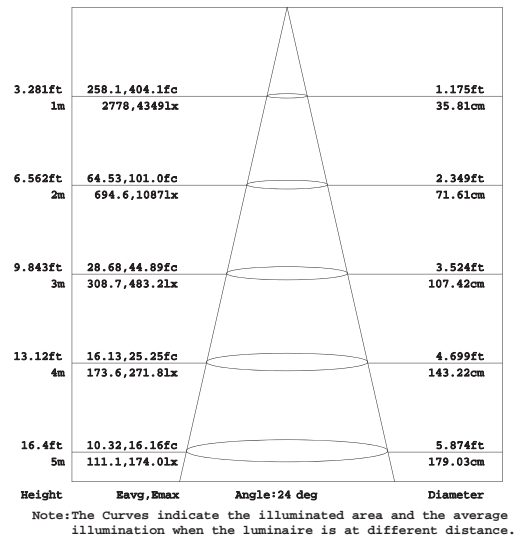
## Product Dimensions:



## Luminous Intensity Distribution Diagram:



## Lux Distribution:



### Manufacturing Quality Standard:

- ISO 9001:2008

### LED Luminaire Standard:

- EN/IEC 60598-1
- EN/IEC 60598-2-1
- EN/IEC 60598-2-2
- EN/IEC 60529
- EN/IEC 62471-2
- IEC 62612
- EN/IEC 60968
- IEC 62560
- EN/IEC 60061-1
- EN 13032-1
- EN 13032-2
- EN/IEC 62471

### Electronic Driver Standard:

- EN/IEC 61347-1
- EN/IEC 61347-2-13
- EN/IEC 62384
- EN/IEC 61000-3-2
- EN/IEC 61000-3-3
- EN/IEC 61547
- EN 55015(CISPR 15)

### LED Module Standard:

- IEC 62031
- IEC 60838-2-2

### LED Light Photometric Standard:

- CIE; TM14; LM-75; IES; LDT; CEN; CIB

### RoHS Standard:

- EPA3050B
- EN 1122
- IEC 62321
- EPA3052
- EPA3060A
- EPA7196A
- EPA3540C
- EPA8270C

### LED Luminaire Performance:

- IESNA LM-79-08
- IESNA LM-80-08
- Switching cycle: 100,000x



**Features:**

- Can replace 100W halogen AR111 light
- Electrostatic spray coating surface
- Die casting aluminum heat sink for thermal management
- Unique PMMA lens design for precise light

**Applications:**

- Home use in living and dining rooms, bedrooms, halls and studies
- Hotel lounges, restaurants, bedrooms, halls, conference rooms and foyers
- Clubs and social areas
- Ballrooms
- Shops and boutiques



**Specifications:**

Part No	CCT (K)	Beam Angle	Color Rendering Index	Luminous Intensity (cd)	Luminaire Luminous Flux (lm)	Luminaire Efficacy (lm/w)	LED Source (lm)	Power (W)
CEAR13WO-L	2700	24°	82	4600	840	65	1000	13
CEAR13WW-L	3000	24°	82	5000	870	67	1050	13

**Products Characteristic:**

- Input Voltage: AC/DC 12V
- Operating Temperature: -20~50°C
- Operating Humidity: 10%~90%RH
- Life Time: 50,000 Hours at Ta=40°C
- Finishing Materials: Aluminum and Polycarbonate
- Body Color: Black and White
- LED Source: Japan Nichia
- Net Weight: 340g

**Connection Guide:**

