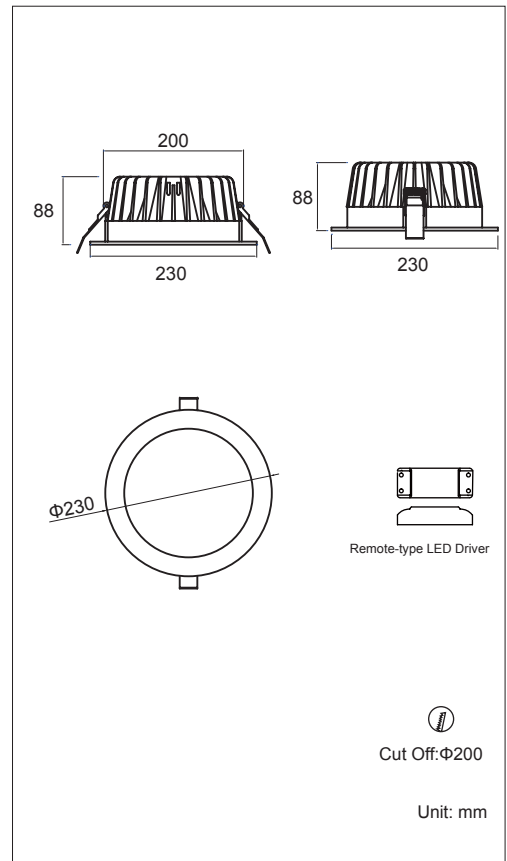


Light Source: SMD

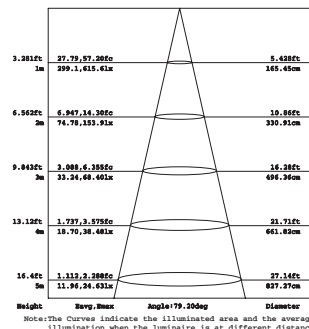
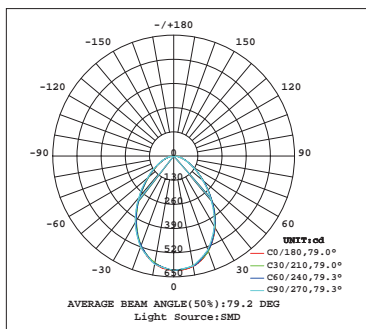


Light Source: Bridgelux

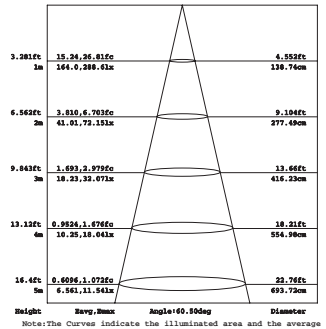
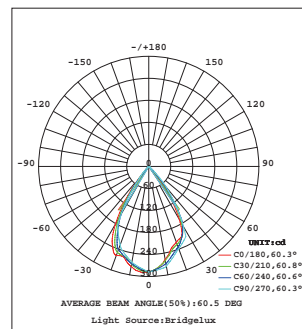
## Product Dimensions:



## Luminous Intensity Distribution Diagram:



## Lux Distribution:



### Manufacturing Quality Standard:

- ISO 9001:2008
- **LED Luminaire Standard:**
- EN/IEC 60598-1
- EN/IEC 60598-2-1
- EN/IEC 60598-2-2
- EN/IEC 60529
- EN/IEC 62471-2
- IEC 62612
- EN/IEC 60968
- IEC 62560
- EN/IEC 60061-1
- EN 13032-1
- EN 13032-2
- EN/IEC 62471

### Electronic Driver Standard:

- EN/IEC 61347-1
- EN/IEC 61347-2-13
- EN/IEC 62384
- EN/IEC 61000-3-2
- EN/IEC 61000-3-3
- EN/IEC 61547
- EN 55015(CISPR 15)

### LED Module Standard:

- IEC 62031
- IEC 60838-2-2

### LED Light Photometric Standard:

- CIE; TM14; LM-75; IES; LDT; CEN; CIB

### RoHS Standard:

- EPA3050B
- EN 1122
- IEC 62321
- EPA3052
- EPA3060A
- EPA7196A
- EPA3540C
- EPA8270C

### LED Luminaire Performance:

- IESNA LM-79-08
- IESNA LM-80-08
- Switching cycle: 100,000x

### Emergency Standard:

- With CELEX-LED Emergency System
- HKFSD PPA 104A(4th Revision)
- EN 60598-2-22
- BS 6387
- BS EN 60598-2-22
- EN 61347-2-7
- BS EN 60702-2
- BS 5266-1
- BS 6207-3

## Features:

- Recess mounted type
- Die casting aluminum and remote driver
- Static spray coating surface
- Unique fin design
- Uniform illumination with special diffuser
- High power efficiency (>0.85) and power factor(>0.9)
- Remote-type LED driver
- Optional 1~10V driver for dimming control
- Optional dali driver for dimming control
- Optional DMX driver for dimming control
- Optional battery kit for emergency lighting
- Optional DMX driver for DMX512 dimming control

## Applications:

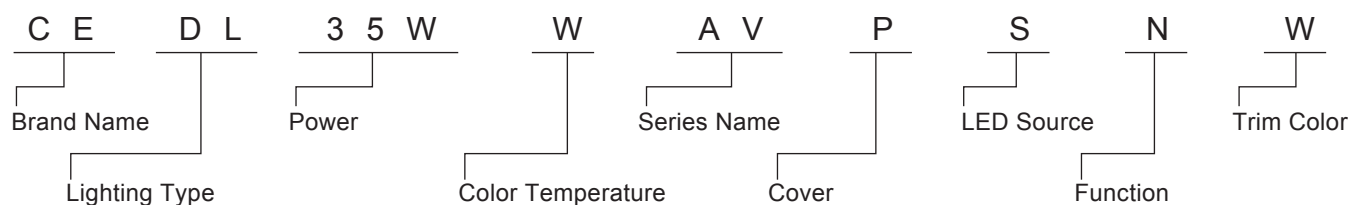
- Home use
- Hotel Lounges
- Restaurants
- Halls and clubs
- Ballrooms



## Specifications:

Power	18W	23W	29W	35W	30W	33W
Light Sources	SMD				Bridgelux	
Beam Angle	90°				60°	
Cover Diffuser	Milky Polycarbonate or Frosted Glass				Clear Glass or Frosted Glass	
Power Factor	>0.9					
Input Voltage	AC 220~240V 50/60Hz					
Dimming Funtion	1~10V / Dali / DMX512A					
DMX512A Channel	1 Channel					
Color Rendering Index	80					
Luminaire Efficacy	70lm/w(2700K), 75lm/w(3000K), 85lm/w(4000K), 90lm/w (5000K), 100lm/w (6500K)					
LED Source Efficacy	95lm/w (2700K), 100lm/w (3000K), 110lm/w (4000K), 115lm/w (5000K), 125lm/w (6500K)					
Life Time	50,000 Hours					
Operating Temperature	-20°C~50°C					
Operating Humidity	10%~90%RH					
Finishing Materials	Aluminum					
Body Color	Matte White / Matte Black					
RAL Color Code	RAL 9003 / RAL 9005					
Net Weight	1500g					

## Ordering Part No.:



Brand Name	Lighting Type	Power	Color Temperature	Series Name	Cover Diffuser	LED Source	Function	Trim Color
CE: CELEX	DL: Down Light	18W 23W 29W 30W 33W 35W	O: 2700K W: 3000K N: 4000K D: 5000K C: 6500K	AV: ALLO V Series	P: Polycarbonate G: Frosted Glass C: Clear Glass	S: SMD B: Bridgelux	D:DMX512A Dimming E:Emergency(3hrs) N:Switch In T:Triac Dimming Leading Edge V:1~10V Dimming I: Dali Dimming	W: Matte White B: Matte Black