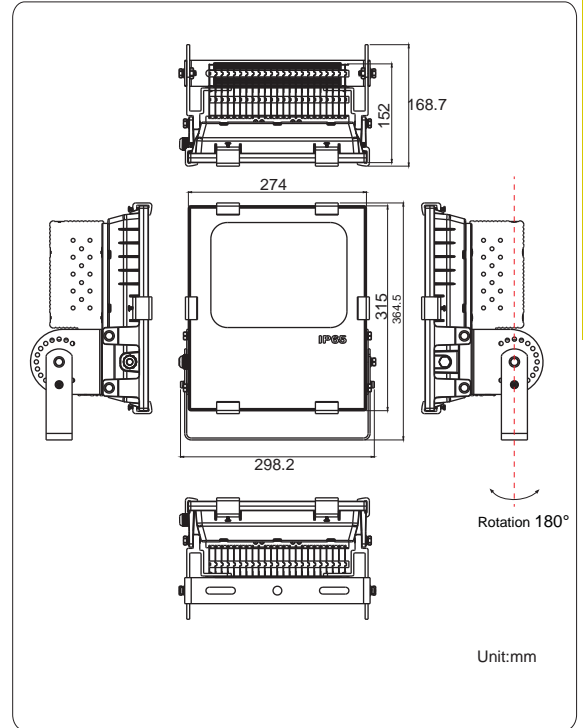
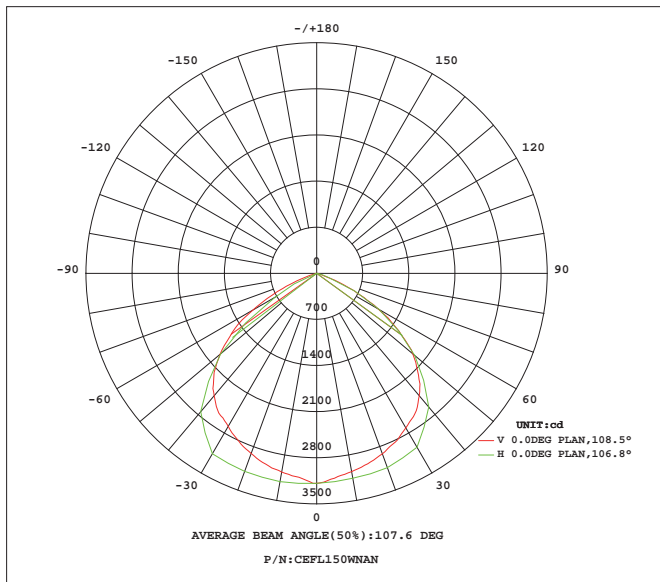


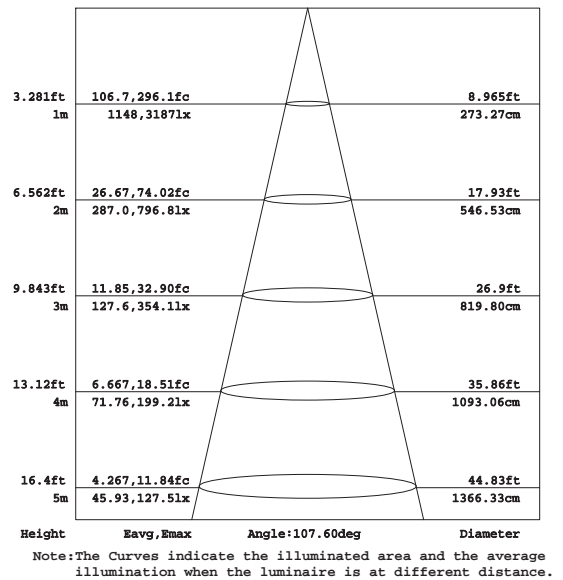
**Product Dimensions:**



**Luminous Intensity Distribution Diagram:**



**Lux Distribution:**



**Manufacturing Quality Standard:**

- ISO 9001:2008
- LED Luminaire Standard:**
- EN/IEC 60598-1
- EN/IEC 60598-2-1
- EN/IEC 60598-2-2
- EN/IEC 60529
- EN/IEC 62471-2
- IEC 62612
- EN/IEC 60968
- IEC 62560
- EN/IEC 60061-1
- EN 13032-1
- EN 13032-2
- EN/IEC 62471
- EN/IEC 60825
- EN 60061-1

**Electronic Driver Standard:**

- EN/IEC 61347-1
- EN/IEC 61347-2-13
- EN/IEC 62384
- EN/IEC 61000-3-2
- EN/IEC 61000-3-3
- EN/IEC 61547
- EN 55015(CISPR 15)

**LED Module Standard:**

- IEC 62031
- IEC 60838-2-2

**LED Light Photometric Standard:**

- CIE; TM14; LM-75; IES; LDT; CEN; CIB

**RoHS Standard:**

- EPA3050B
- EN 1122B
- IEC 62321
- EPA3052
- EPA3060A
- EPA7196A
- EPA3540C
- EPA8270D

**LED Luminaire Performance:**

- LM-80-08
- Switching cycle:100,000x



**Features:**

- Anode oxidized 1060 aluminum heatsink fins and clear tempered glass with 93% transparent
- The entire housing coated by electrophoretic plait,excellent corrosion resistance
- Stainless steel screws and parts
- The symmetrical beam light distribution is suitable especially for the illumination of building
- Reflector made of anodized pure aluminum
- Protected against dust entry and water jets IP65
- Built-in IP67 class II Meanwell LED driver complied with UL, CSA,TUV and EMC standard
- High power factor (>0.9) and power efficiency design

**Applications:**

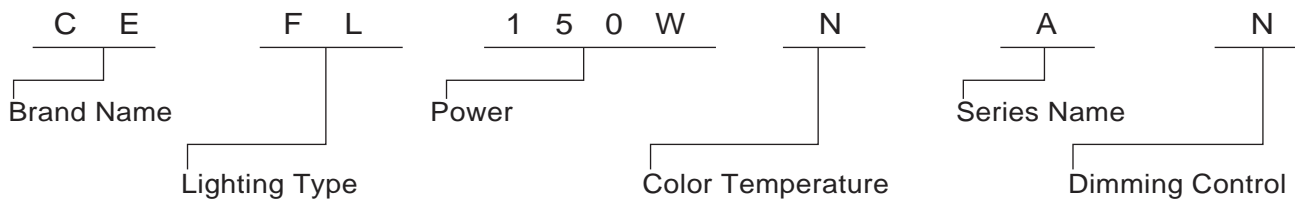
- Billboard and decorative lighting
- Outline of buildings
- Walls
- Bridges



**Specifications:**

Power	120W / 140W / 150W
Input Voltage	AC 100~240V 50/60Hz
Power Factor	>0.95
Dimming Control	Triac Leading Edge / DMX 512 / 0~10V / Dali
Beam Angle	110°
Color Rendering Index	80
Luminaire Efficacy	* 90lm/w (3000K), * 100lm/w (4000K), * 105m/w (5000K), *105m/w (6500K)
LED Source Efficacy	* 100lm/w (3000K), * 110lm/w (4000K), * 125lm/w (5000K), * 125lm/w (6500K)
Operating Temperature	-20°C~70°C
LED Source	CREE
Life Time	50,000 Hours
Operating Humidity	0~99%RH
Finishing Materials	Aluminum and Tempered Glass
Body Color	Matte Black Cover
RAL Color Code	RAL 9004
Net Weight	5.5kg

**Ordering Part No.:**



Brand Name	Lighting Type	Power	Color Temperature	Series Name	Dimming Control
CE: CELEX	FL: Flood Light	120W 140W 150W	W: 3000K N: 4000K D: 5000K C: 6500K	A: ADO Series	D:DMX 512 N:Switch In (ON / OFF) T:Triac Leading Edge V:0~10V Dimming A:Dali